

PARTS LIST

WESTERBEKE BCG 4.0 — 6.5 KW Marine Gasoline Generators Sets

Publication # 36194

Edition One

July 1986



Gasoline with an ETHANOL content higher than 10% (E10) is **not allowed and may void warranty.**



WESTERBEKE™
Engines & Generators

PARTS LIST

WESTERBEKE BCG 4.0 — 6.5 KW Marine Gasoline Generators Sets

Publication # 36194

Edition One

July 1986



IMPORTANT

PRODUCT SOFTWARE NOTICE

Product software of all kinds, such as brochures, drawings, technical data, operator's and workshop manuals, parts lists and parts price lists, and other information, instructions and specifications provided from sources other than Westerbeke, is not within Westerbeke's control and, accordingly, is provided to Westerbeke customers only as a courtesy and service. WESTERBEKE CANNOT BE RESPONSIBLE FOR THE CONTENT OF SUCH SOFTWARE, MAKES NO WARRANTIES OR REPRESENTATIONS WITH RESPECT THERETO, INCLUDING THE ACCURACY, TIMELINESS OR COMPLETENESS THEREOF, AND WILL IN NO EVENT BE LIABLE FOR ANY TYPE OF DAMAGES OR INJURY INCURRED IN CONNECTION WITH, OR ARISING OUT OF, THE FURNISHING OR USE OF SUCH SOFTWARE.

For example, components and sub-assemblies incorporated in Westerbeke's products and supplied by others (such as engine blocks, fuel systems and components, transmissions, electrical components, pumps and other products) are generally supported by their manufacturers with their own software, and Westerbeke must depend on such software for the design of Westerbeke's own product software. Such software may be outdated and no longer accurate. Routine changes made by Westerbeke's suppliers, of which Westerbeke rarely has notice in advance, are frequently not reflected in the supplier's software until after such changes take place.

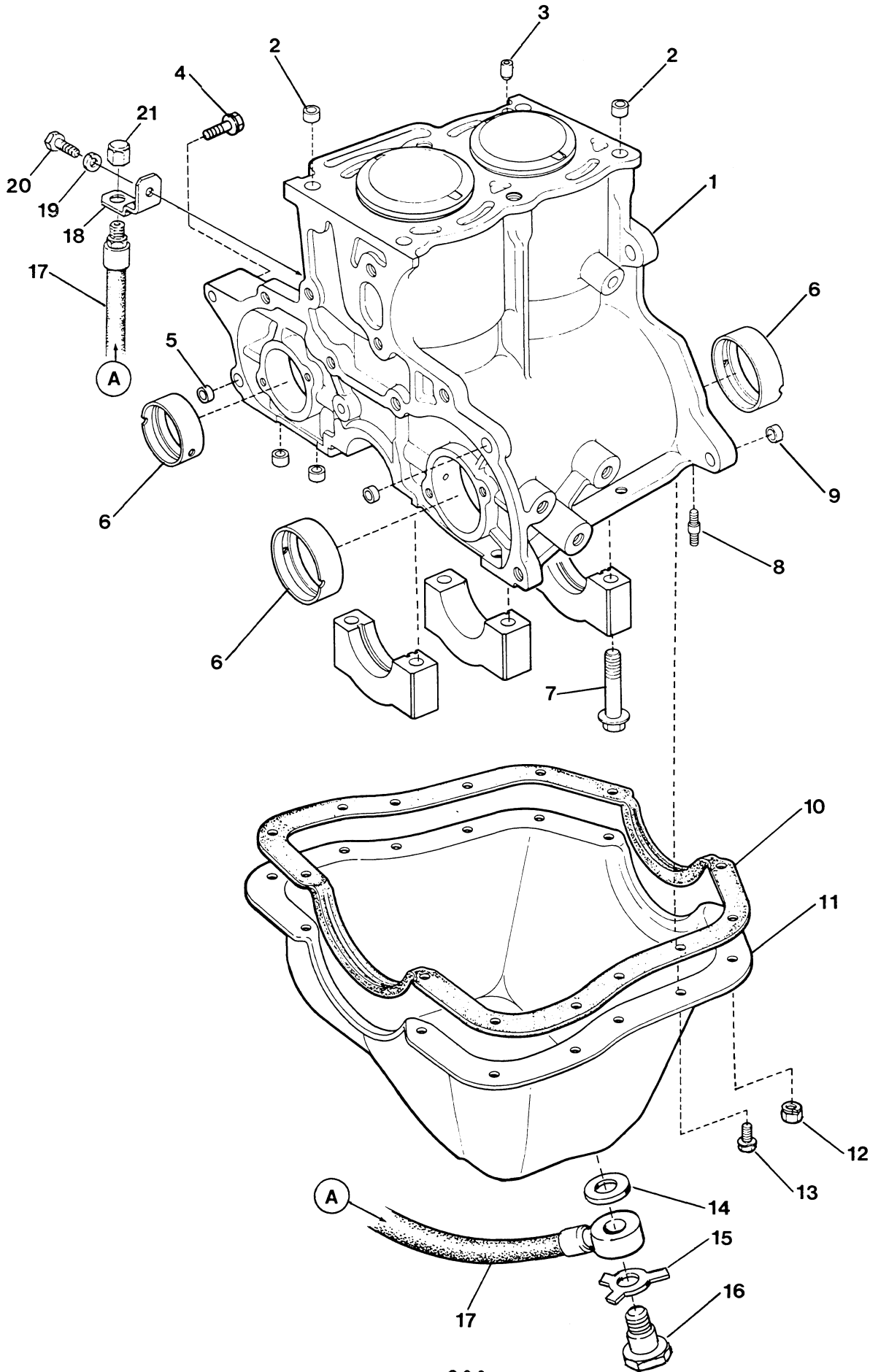
Westerbeke customers should also keep in mind the time span between printings of Westerbeke product software, and the unavoidable existence of earlier, non-current Westerbeke software editions in the field. Additionally, most Westerbeke products include customer-requested special features that frequently do not include complete documentation.

In sum, product software provided with Westerbeke products, whether from Westerbeke or other suppliers, must not and cannot be relied upon exclusively as the definitive authority on the respective product. It not only makes good sense, but is imperative that appropriate representatives of Westerbeke or the supplier in question be consulted to determine the accuracy and currency of the product software being consulted by the customer.

TABLE OF CONTENTS

200	WESTERBEKE BCG-4.0KW GENERATOR - CYLINDER BLOCK
202	WESTERBEKE BCG-6.5KW GENERATOR - CYLINDER BLOCK
204	WESTERBEKE BCG-4.0KW GENERATOR - CYLINDER HEAD
206	WESTERBEKE BCG-6.5KW GENERATOR - CYLINDER HEAD
208	WESTERBEKE BCG-4.0-6.5KW GENERATOR - ROCKER SHAFT - CAMSHAFT - VALVES
210	WESTERBEKE BCG-4.0KW GENERATOR - CRANKSHAFT - PISTONS
212	WESTERBEKE BCG-6.5KW GENERATOR - CRANKSHAFT - PISTONS
214	WESTERBEKE BCG-4.0-6.5KW GENERATOR - BALANCE SHAFT
216	WESTERBEKE BCG-4.0KW GENERATOR - TIMING CASE
218	WESTERBEKE BCG-6.5KW GENERATOR - TIMING CASE
220	WESTERBEKE BCG-4.0-6.5KW GENERATOR - TIMING BELT
222	WESTERBEKE BCG-4.0-6.5KW GENERATOR - LUBE OIL PUMP
224	WESTERBEKE BCG-4.0KW GENERATOR - COOLING SYSTEM
228	WESTERBEKE BCG-6.5KW GENERATOR - COOLING SYSTEM
232	WESTERBEKE BCG-4.0-6.5KW GENERATOR - FRESH WATER PUMP
234	WESTERBEKE BCG-4.0-6.5KW GENERATOR - SEA WATER PUMP
236	WESTERBEKE BCG-4.0KW GENERATOR - FUEL SYSTEM - COOLING (RIGHT SIDE)
240	WESTERBEKE BCG-6.5KW GENERATOR - FUEL SYSTEM - COOLING (RIGHT SIDE)
244	WESTERBEKE BCG-4.0-6.5KW GENERATOR - LUBE OIL FILTER
246	WESTERBEKE BCG-4.0KW GENERATOR - DISTRIBUTOR
248	WESTERBEKE BCG-6.5KW GENERATOR - DISTRIBUTOR
250	WESTERBEKE BCG-4.0-6.5KW GENERATOR - GOVERNOR - BELTS - BELT GUARD
252	WESTERBEKE BCG-4.0-6.5KW GENERATOR - BACK END - GENERATOR
256	WESTERBEKE BCG-4.0-6.5KW GENERATOR - AC OUTPUT
258	WESTERBEKE BCG-4.0-6.5KW GENERATOR - ELECTRICAL WIRING HARNESS
262	WESTERBEKE BCG-4.0-6.5KW GENERATOR - CONTROL PANEL
264	WESTERBEKE BCG-4.0-6.5KW GENERATOR - REMOTE CONTROL PANELS
266	WESTERBEKE BCG-4.0-6.5KW GENERATOR - MISCELLANEOUS

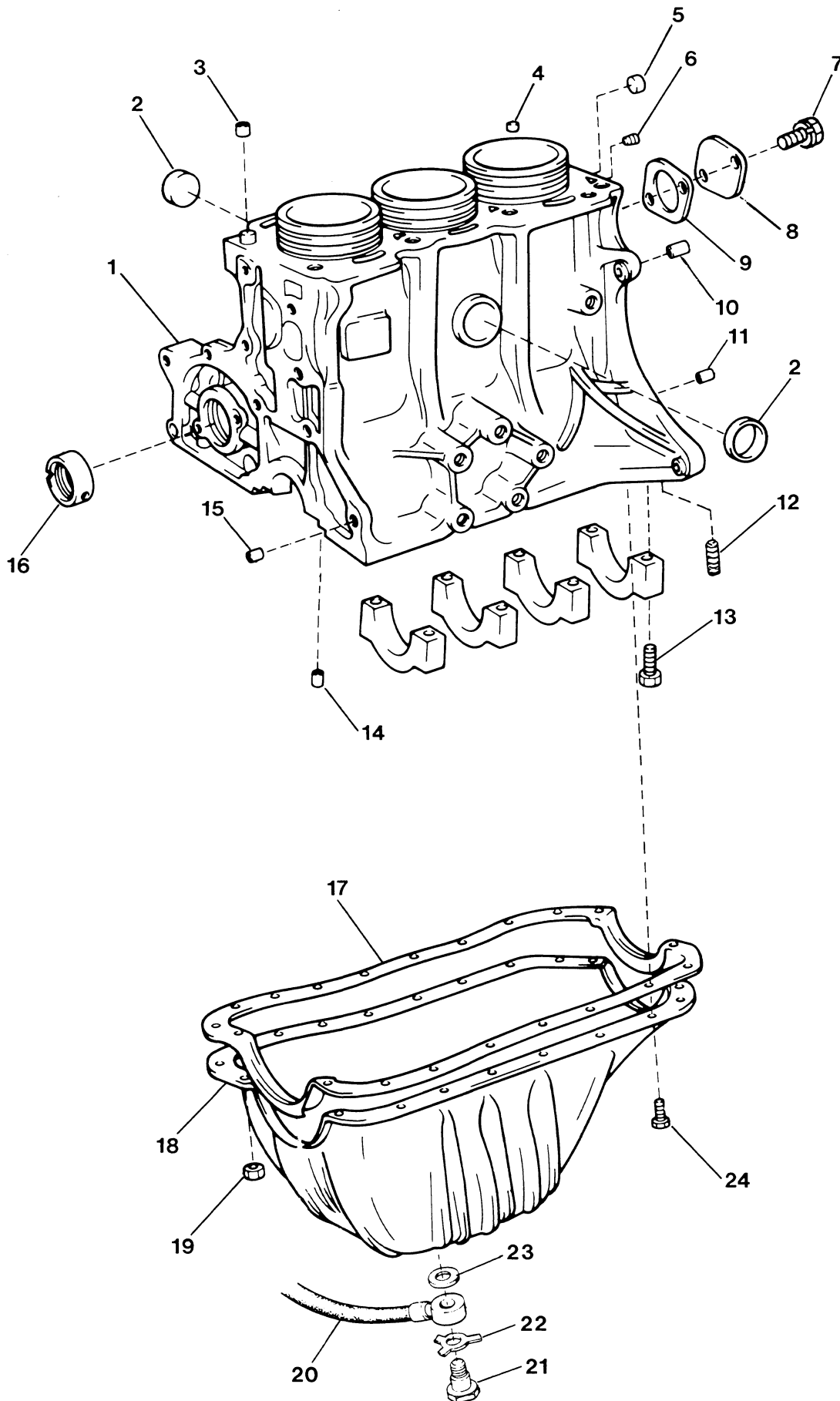
WESTERBEKE BCG-4.0KW GENERATOR - CYLINDER BLOCK



WESTERBEKE BCG-4.0KW GENERATOR - CYLINDER BLOCK

REF	PN	NAME	REMARKS	QUAN
1-1	035896	ENGINE	HEAD & BLOCK ASSEMBLY	1
1-2	035496	BLOCK	SHORT	1
2	035630	DOWEL	TUBULAR	4
3	035498	TUBE	OIL-BLOCK TO HEAD	1
4	035797	CAPSCREW	M 8 X 45 JIS INCL LOCKWASHER	1
5	035631	DOWEL	TUBULAR	4
6-1	035506	BEARING	SET-BALANCE SHAFT STD	1
6-2	035508	BEARING	SET-BALANCE SHAFT 0.5 MM	1
7	035661	BOLT	MAIN BEARING CAP	6
8	035684	STUD	M 6 X 16	4
9	035630	DOWEL	TUBULAR	1
10	035513	GASKET	SUMP	1
11	035511	SUMP	OIL INCL GASKET	1
12-1	015812	NUT	M 6 DIN 934	8
12-2	031783	LOCKWASHER	M 6 DIN 127	8
13	035799	CAPSCREW	M 6 X 14 JIS INCL LOCKWASHER	10
14	035436	WASHER	NYLATRON	1
15	024913	TABWASHER		1
16	035270	BOLT	BANJO-SUMP DRAIN	1
17	034746	HOSE	SUMP DRAIN	1
18	024922	BRACKET	SUMP DRAIN HOSE	1
19	019262	LOCKWASHER	M10 DIN 127	1
20	024951	CAPSCREW	M10 X 1.25 X 20 DIN 961	1
21	024905	CAP	SUMP DRAIN HOSE	1

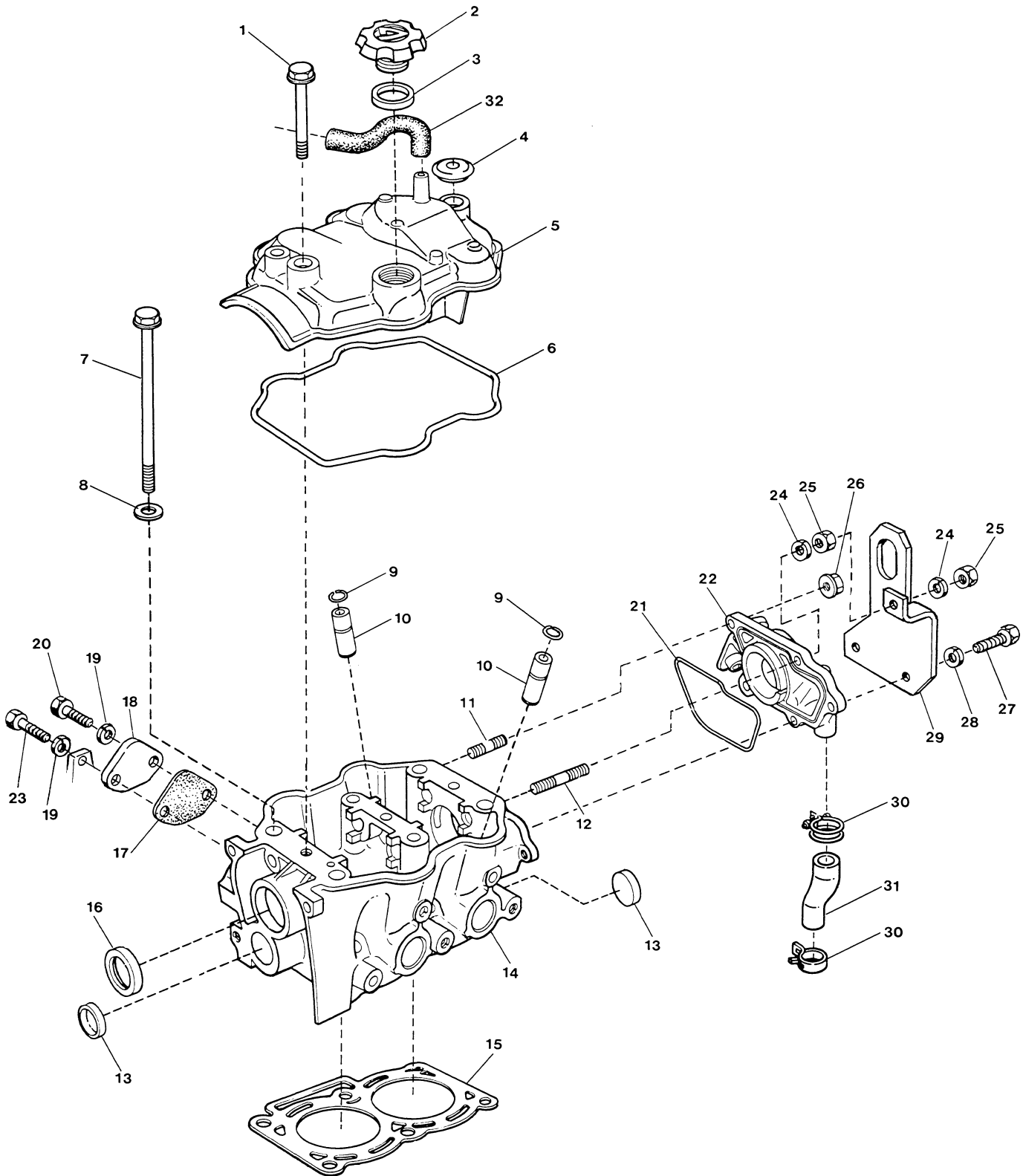
WESTERBEKE BCG-6.5KW GENERATOR - CYLINDER BLOCK



WESTERBEKE BCG-6.5KW GENERATOR - CYLINDER BLOCK

REF	PN	NAME	REMARKS	QUAN
1-1	035989	ENGINE	HEAD & BLOCK ASSEMBLY	1
1-2	035497	BLOCK	SHORT	1
2	024373	PLUG	EXPANSION-CUP 30 MM	2
3	035630	DOWEL	TUBULAR	2
4	035498	TUBE	OIL-BLOCK TO HEAD	1
5	024373	PLUG	EXPANSION-CUP 25 MM	1
6	030712	PLUG	1/4BSPT	1
7	035791	CAPSCREW	M 8 X 14 JIS INCL LOCKWASHER	2
8	035480	COVER	BALANCE SHAFT-REAR	1
9	035481	GASKET	BALANCE SHAFT COVER	1
10	035629	DOWEL		2
11	035631	DOWEL	TUBULAR	2
12	035683	STUD	M 6 X 12	2
13	035661	BOLT	MAIN BEARING CAP	8
14	035631	DOWEL	TUBULAR	2
15	035631	DOWEL	TUBULAR	2
16-1	035507	BEARING	SET-BALANCE SHAFT STD	1
16-2	035509	BEARING	SET-BALANCE SHAFT 0.5 MM	1
17	035512	GASKET	SUMP	1
18	035510	SUMP	LUBE OIL	1
19-1	015812	NUT	M 6 DIN 934	6
19-2	031783	LOCKWASHER	M 6 DIN 127	6
20	034746	HOSE	SUMP DRAIN	1
21	035270	BOLT	BANJO-SUMP DRAIN	1
22	024913	TABWASHER		1
23	035436	WASHER	NYLATRON	1
24	035800	CAPSCREW	M 6 X 16 JIS INCL LOCKWASHER	14

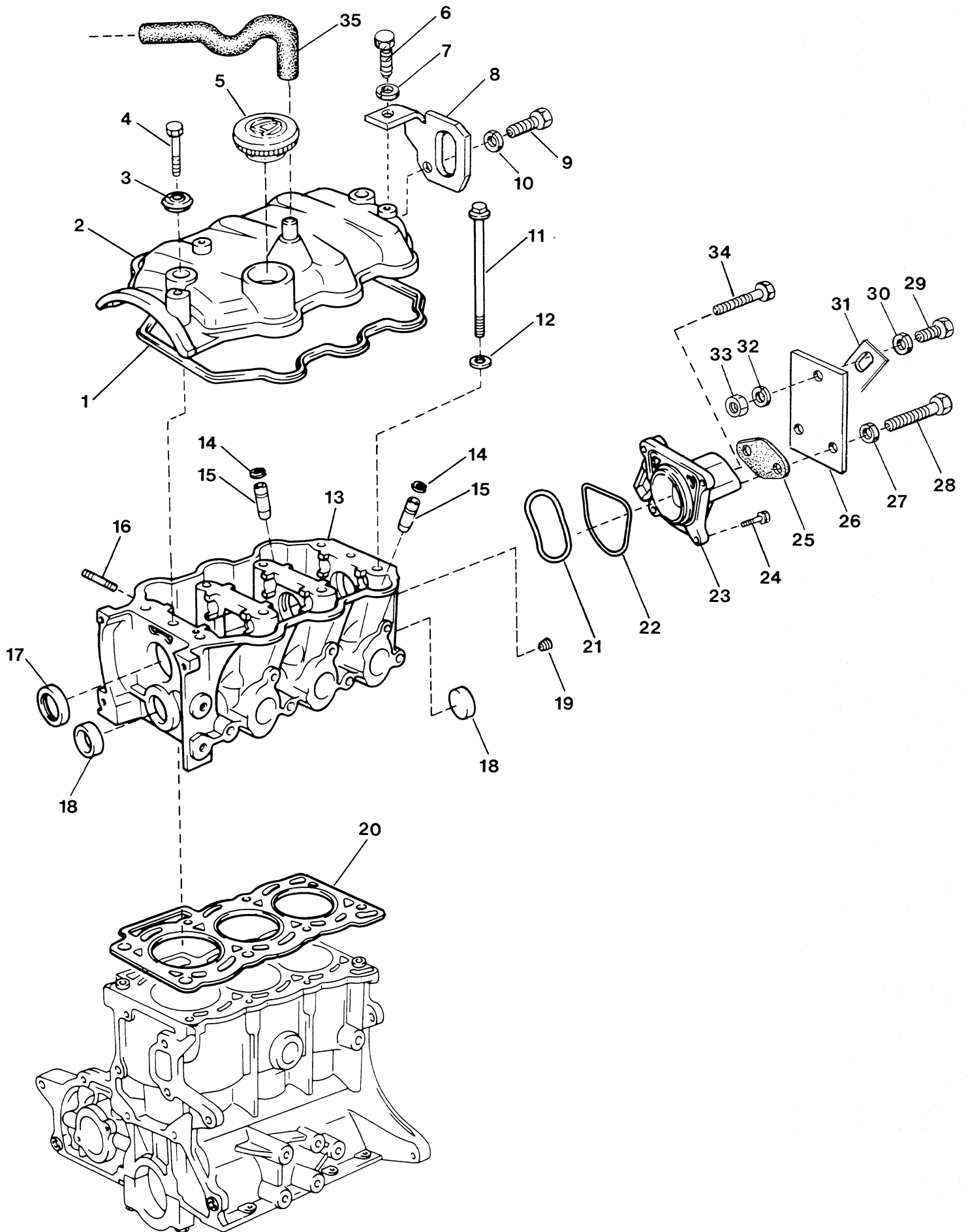
WESTERBEKE BCG-4.0KW GENERATOR - CYLINDER HEAD



WESTERBEKE BCG-4.0KW GENERATOR - CYLINDER HEAD

REF	PN	NAME	REMARKS	QUAN
1	035621	BOLT	ROCKER COVER	2
2	035515	CAP	OIL FILLER INCL GASKET	1
3	035682	GASKET	OIL FILLER CAP	1
4	035627	SEAL	ROCKER COVER BOLT	2
5	035477	COVER	ROCKER INCL GASKET	1
6	035478	GASKET	ROCKER COVER	1
7	035660	BOLT	CYLINDER HEAD	6
8	035624	WASHER	CYLINDER HEAD BOLT	6
9	035659	RING	RETAINING	4
10	035473	GUIDE	VALVE INCL RETAINING RING	4
11	036203	STUD		1
12	036202	STUD		1
13	024349	PLUG	EXPANSION-CUP 35 MM	2
14	035469	HEAD	CYLINDER INCL GUIDES	1
15	035471	GASKET	CYLINDER HEAD	1
16	035647	SEAL	OIL-CAMSHAFT	1
17	035044	GASKET	COVER TO HEAD	1
18	035038	COVER	PLATE	1
19	031786	LOCKWASHER	M 8 DIN 127	2
20	017196	CAPSCREW	M 8 X 20 DIN 933	1
21	035634	O-RING	HOUSING TO HEAD	1
22	035474	HOUSING	DISTRIBUTOR MOUNT	1
23	013619	CAPSCREW	M 8 X 30 DIN 933	1
24	031783	LOCKWASHER	M 6 DIN 127	1
25	015812	NUT	M 6 DIN 934	2
26	036211	NUT	M 6 JIS FLANGE	2
27	030146	CAPSCREW	M 6 X 55 DIN 931	1
28	031783	LOCKWASHER	M 6 DIN 127	1
29	035093	BRACKET	IGNITION COIL AND LIFTING EYE	1
30	011341	CLAMP	HOSE 8	2
31	035516	HOSE	BREATHING-DISTRIBUTOR HOUSING	1
32	035829	HOSE	BREATHING-ROCKER COVER	1

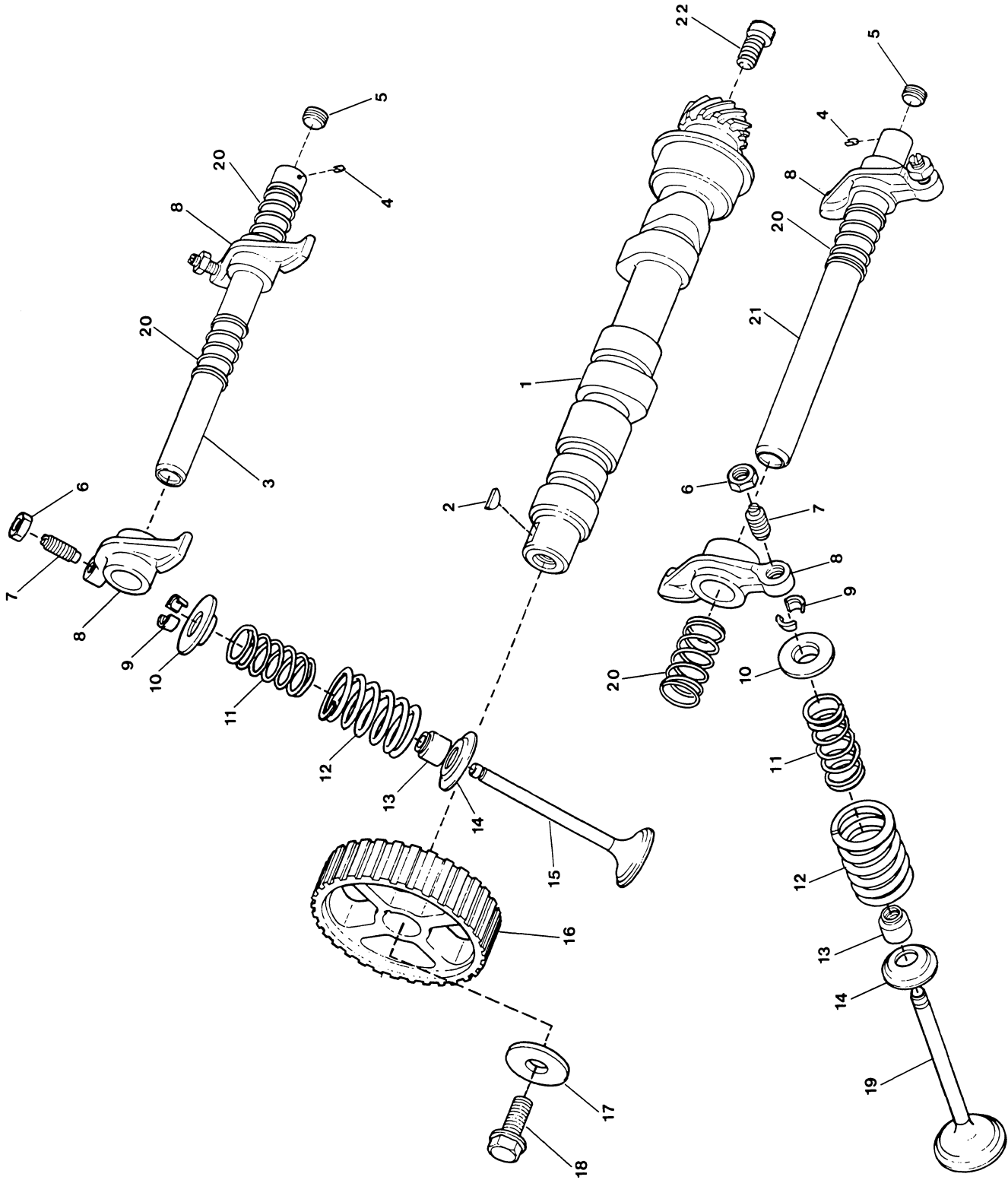
WESTERBEKE BCG-6.5KW GENERATOR - CYLINDER HEAD



WESTERBEKE BCG-6.5KW GENERATOR - CYLINDER HEAD

REF	PN	NAME	REMARKS	QUAN
1	035479	GASKET	ROCKER COVER	1
2	035441	COVER	ROCKER	1
3	035628	SEAL		2
4	035621	CAPSCREW		2
5	035514	CAP	OIL FILLER	1
6	034672	CAPSCREW	M 8 X 12 DIN 933	1
7	031786	LOCKWASHER	M 8 DIN 127	1
8	035268	EYE	REAR LIFTING	1
9	020628	CAPSCREW	M 6 X 25 DIN 933	1
10	031783	LOCKWASHER	M 6 DIN 127	1
11	035660	BOLT	CYLINDER HEAD	8
12	035624	WASHER	CYLINDER HEAD BOLT	8
13	035470	HEAD	CYLINDER INCLUDING REF 14 THRU 18	1
14	035659	RING	RETAINING	6
15	035473	GUIDE	VALVE INCLUDING REF 14	6
16	018251	STUD	M 8 X 20 DIN 939	4
17	035647	SEAL	OIL-CAMSHAFT	1
18	024349	PLUG	EXPANSION-CUP 35 MM	2
19	030730	PLUG	M16 X 1.5 DIN 910	1
20	035472	GASKET	CYLINDER HEAD	1
21	036204	WASHER		1
22	035635	O-RING	HOUSING TO HEAD	1
23	035475	HOUSING	DISTRIBUTOR MOUNT	1
24	035786	CAPSCREW	M 6 X 20 JIS INCL LOCKWASHER	3
25	035044	GASKET		1
26	035437	BRACKET	IGNITION COIL	1
27	031786	LOCKWASHER	M 8 DIN 127	2
28	017196	CAPSCREW	M 8 X 20 DIN 933	2
29	031553	CAPSCREW	5/16NC X 3/4	1
30	031759	WASHER	FLAT 5/16	1
31	035667	COIL	IGNITION	1
32	031758	LOCKWASHER	5/16	1
33	031756	NUT	5/16NC	1
34	035811	CAPSCREW	M 6 X 45 JIS INCL WASHER & LOCKWASHER	1
35	035830	HOSE	BREATHER	1

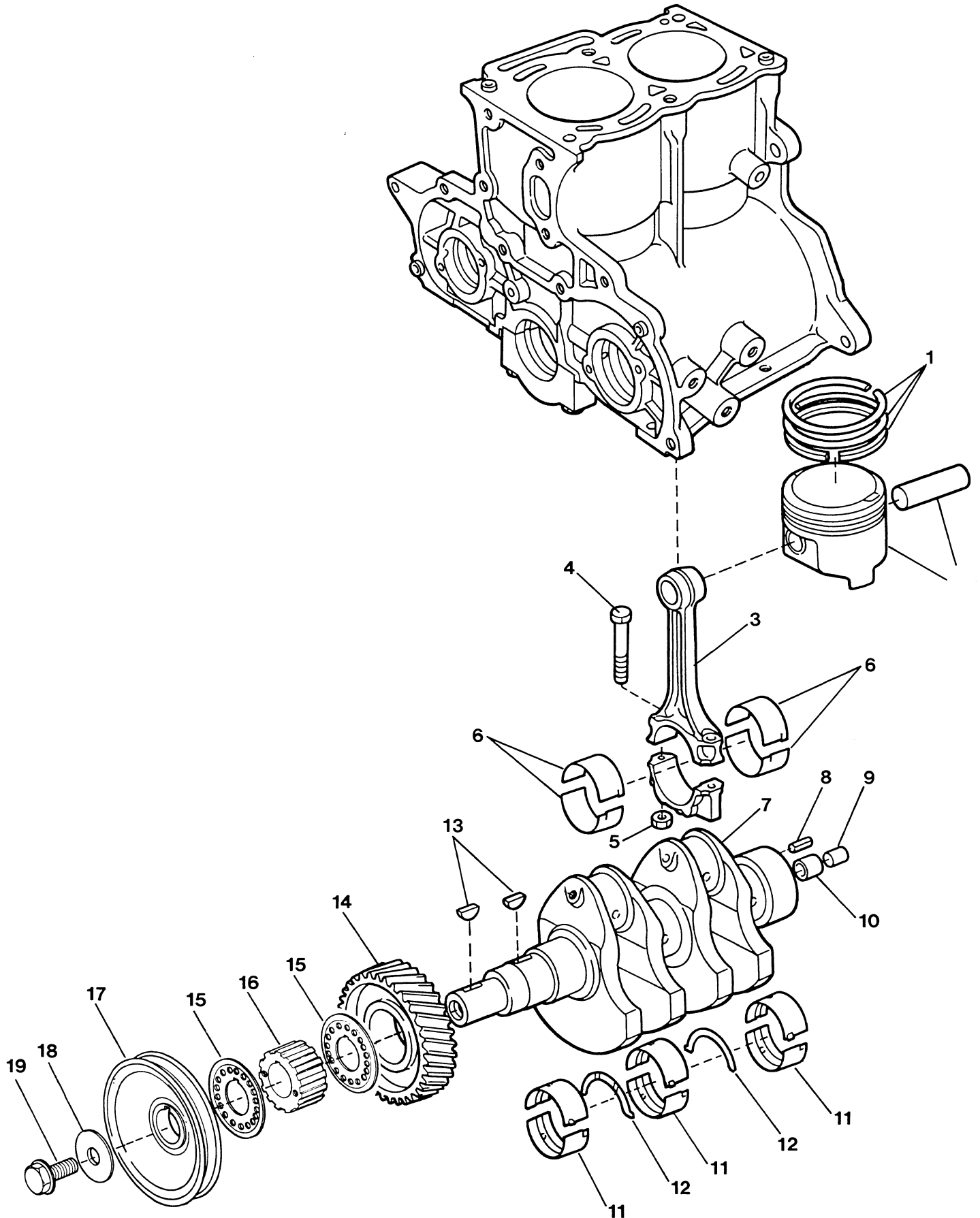
WESTERBEKE BCG-4.0-6.5KW GENERATOR - ROCKER SHAFT - CAMSHAFT - VALVES



WESTERBEKE BCG 4.0-6.5KW GENERATOR - ROCKER SHAFT - CAMSHAFT - VALVES

REF	PN	NAME	REMARKS	QUAN
1-1	035561	CAMSHAFT	2 CYLINDER	1
1-2	035560	CAMSHAFT	3 CYLINDER	1
2	035633	KEY	WOODRUFF	1
3-1	035569	SHAFT	ROCKER-INTAKE 2 CYL-INCL REF 4-5	1
3-2	035570	SHAFT	ROCKER-INTAKE 3 CYL-INCL REF 4-5	1
4-1	035814	PIN	SPRING 2 CYLINDER	2
4-2	035650	PIN	SPRING 3 CYLINDER	2
5	035649	PLUG	ROCKER SHAFT	2
6-1	035813	NUT	ROCKER ADJUSTING SCREW 2 CYL	4
6-2	035813	NUT	ROCKER ADJUSTING SCREW 3 CYL	6
7-1	035664	SCREW	ROCKER ADJUSTING 2 CYL	4
7-2	035664	SCREW	ROCKER ADJUSTING 3 CYL	6
8-1	035568	ROCKER	ARM 2 CYL-INCL REF 6-7	4
8-2	035568	ROCKER	ARM 3 CYL-INCL REF 6-7	6
9-1	035563	COLLET	VALVE SPRING 2 CYL	8
9-2	035563	COLLET	VALVE SPRING 3 CYL	12
10-1	035567	SEAT	VALVE SPRING-UPPER 2 CYL	4
10-2	035567	SEAT	VALVE SPRING-UPPER 3 CYL	6
11	035656	SPRING	VALVE-INNER 2 CYL	4
12-1	035655	SPRING	VALVE-OUTER 2 CYL	4
12-2	035654	SPRING	VALVE 3 CYLINDER	6
13-1	035662	SEAL	OIL-VALVE STEM 2 CYL	4
13-2	035662	SEAL	OIL-VALVE STEM 3 CYL	6
14-1	035566	SEAT	VALVE SPRING-LOWER 2 CYL	4
14-2	035566	SEAT	VALVE SPRING-LOWER 3 CYL	6
15-1	035564	VALVE	INTAKE 2 CYLINDER	2
15-2	035564	VALVE	INTAKE 3 CYLINDER	3
16	035562	PULLEY	CAMSHAFT-TIMING BELT	1
17	035625	WASHER		1
18	036215	CAPSCREW	M10 X 1.25 X 25 JIS-FLANGE	1
19-1	035565	VALVE	EXHAUST 2 CYLINDER	2
19-2	035565	VALVE	EXHAUST 3 CYLINDER	3
20-1	035653	SPRING	ROCKER SHAFT 2 CYLINDER	4
20-2	035653	SPRING	ROCKER SHAFT 3 CYLINDER	6
21-1	035571	SHAFT	ROCKER-EXHAUST 2 CYL-INCL REF 4-5	1
21-2	035572	SHAFT	ROCKER-EXHAUST 3 CYL-INCL REF 4-5	1
22	035563	CAM	FUEL PUMP DRIVE 3 CYLINDER	1

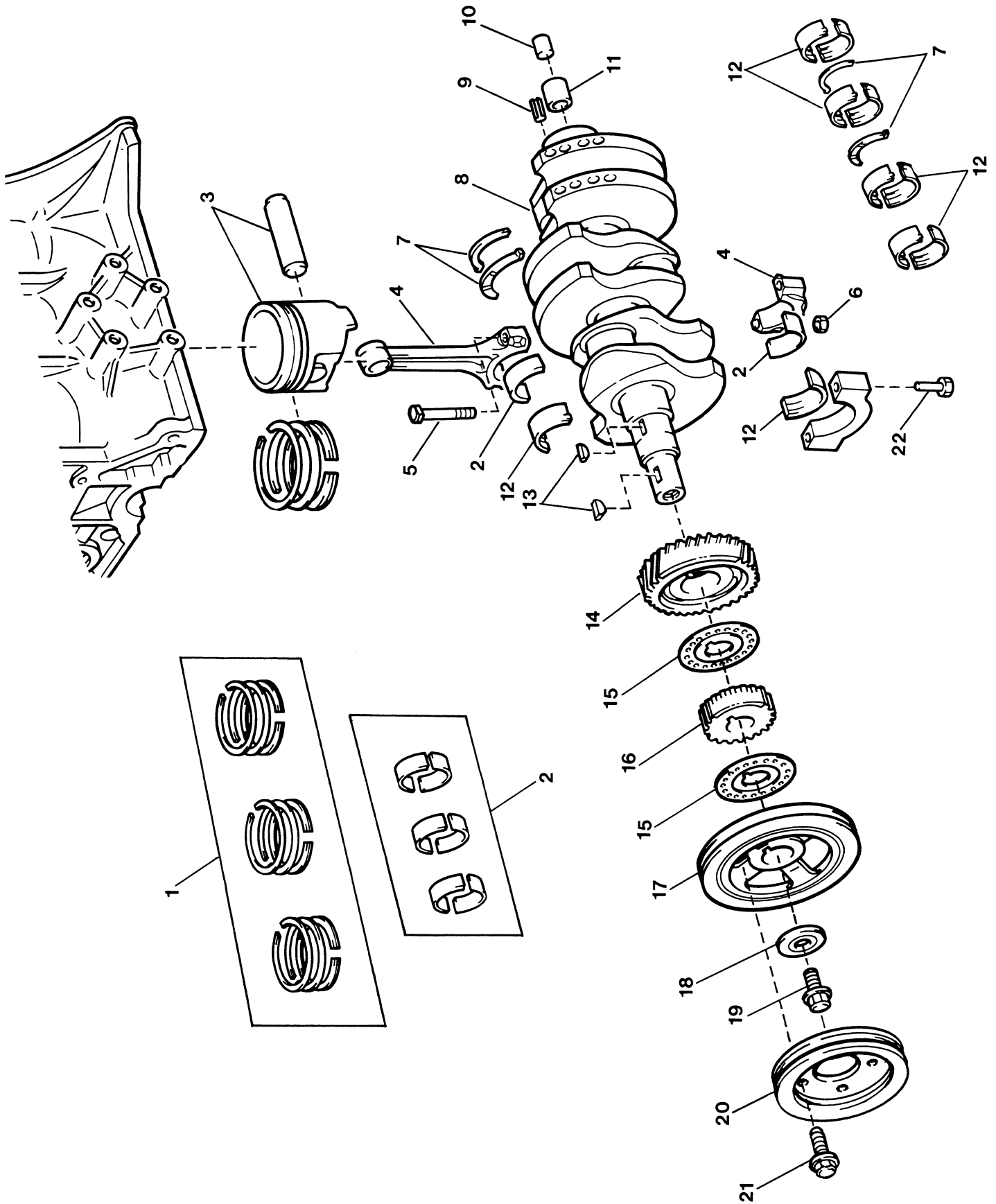
WESTERBEKE BCG-4.0KW GENERATOR - CRANKSHAFT - PISTONS



WESTERBEKE BCG-4.0KW GENERATOR - CRANKSHAFT - PISTONS

REF	PN	NAME	REMARKS	QUAN
1-1	035517	RING SET	STD-ENGINE SET	1
1-2	035519	RING SET	0.25MM-ENGINE SET	1
1-3	035521	RING SET	0.50MM-ENGINE SET	1
1-4	035523	RING SET	0.75MM-ENGINE SET	1
1-5	035524	RING SET	1.00MM-ENGINE SET	1
2-1	035526	PISTON	STD	2
2-2	035528	PISTON	0.25MM	2
2-3	035530	PISTON	0.50MM	2
2-4	035531	PISTON	0.75MM	2
2-5	035532	PISTON	1.00MM	2
3	035534	ROD	CONNECTING INCL REF 4-5	2
4	035541	BOLT	CONNECTING ROD	4
5	036213	NUT	CONNECTING ROD	4
6-1	035535	BEARING	CONNECTING ROD-ENGINE SET STD	1
6-2	035537	BEARING	CONNECTING ROD-ENGINE SET 0.25MM	1
6-3	035539	BEARING	CONNECTING ROD-ENGINE SET 0.50MM	1
7	035542	CRANKSHAFT	INCL PIN AND BUSHING	1
8	036214	PIN	SPRING	1
9	035686	FELT		1
10	035651	BUSHING		1
11-1	035501	BEARING	MAIN-ENGINE SET STD	1
11-2	035503	BEARING	MAIN-ENGINE SET 0.25MM	1
11-3	035505	BEARING	MAIN-ENGINE SET 0.50MM	1
12-1	035466	WASHER	THRUST-ENGINE SET STD	1
12-2	035467	WASHER	THRUST-ENGINE SET 0.125MM	1
12-3	035468	WASHER	THRUST-ENGINE SET 0.250MM	1
13	035632	KEY	WOODRUFF	2
14	035553	GEAR	BALANCE SHAFT DRIVE	1
15	035558	FLANGE	TIMING BELT PULLEY	2
16	035557	PULLEY	TIMING BELT DRIVE	1
17	035555	PULLEY	CRANKSHAFT	1
18	035623	WASHER	CRANKSHAFT PULLEY	1
19	035784	BOLT	CRANKSHAFT PULLEY	1

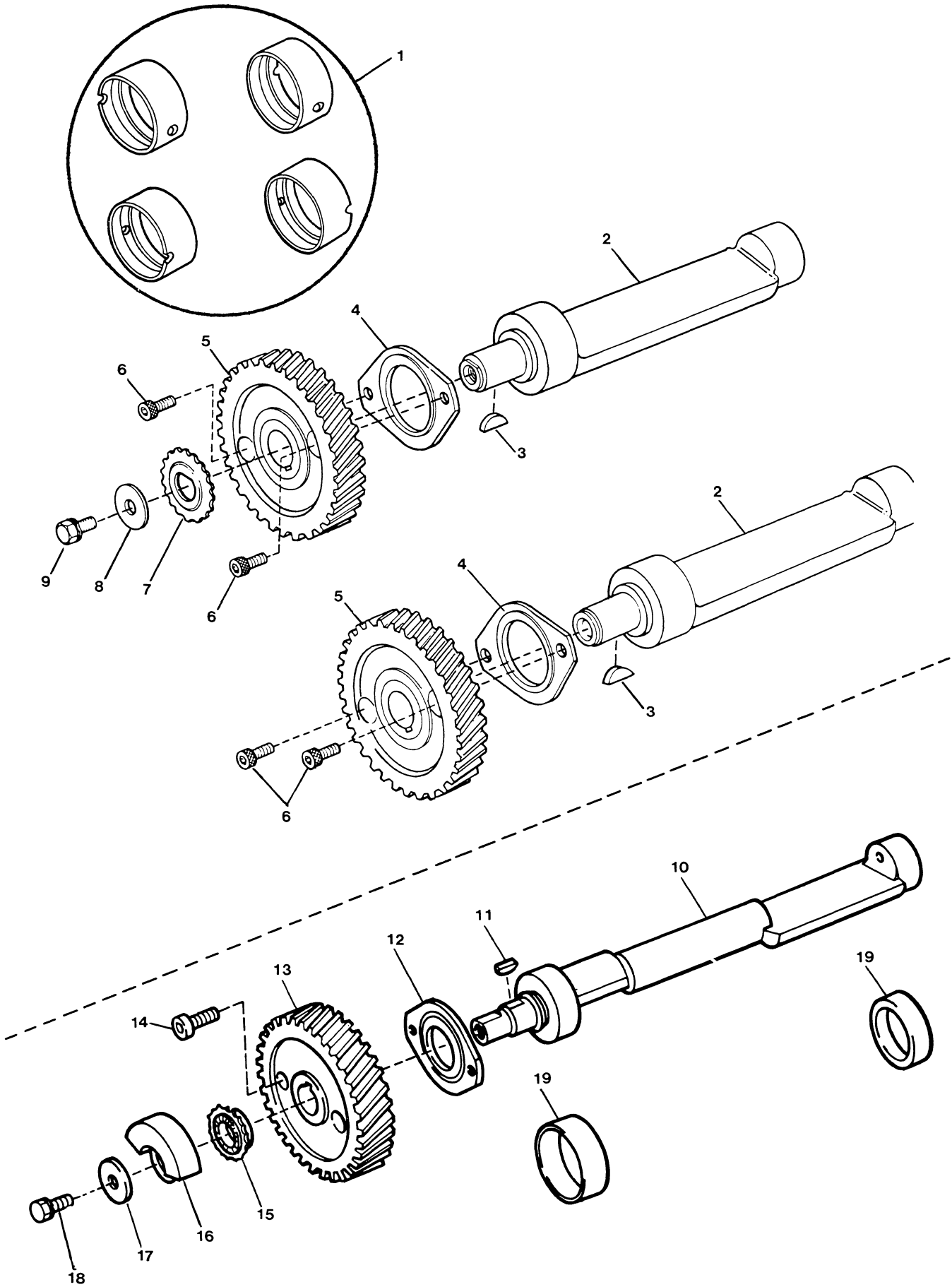
WESTERBEKE BCG-6.5KW GENERATOR - CRANKSHAFT - PISTONS



WESTERBEKE BCG-6.5KW GENERATOR - CRANKSHAFT - PISTONS

REF	PN	NAME	REMARKS	QUAN
1-1	035518	RING SET	STD-ENGINE SET	1
1-2	035520	RING SET	0.25MM-ENGINE SET	1
1-3	035522	RING SET	0.50MM-ENGINE SET	1
2-1	035534	BEARING	CONNECTING ROD-ENGINE SET STD	1
2-2	035536	BEARING	CONNECTING ROD-ENGINE SET 0.25MM	1
2-3	035538	BEARING	CONNECTING ROD-ENGINE SET 0.50MM	1
3-1	035525	PISTON	STD	3
3-2	035527	PISTON	0.25MM	3
3-3	035529	PISTON	0.50MM	3
4	035533	ROD	CONNECTING INCL REF 5-6	3
5	035541	BOLT	CONNECTING ROD	6
6	036217	NUT	CONNECTING ROD	6
7-1	035466	WASHER	THRUST-ENGINE SET STD	1
7-2	035467	WASHER	THRUST-ENGINE SET 0.125MM	1
7-3	035468	WASHER	THRUST-ENGINE SET 0.250MM	1
8	035543	CRANKSHAFT	INCL PIN & BUSHING	1
9	036212	PIN	SPRING	1
10	035687	FELT		1
11	035651	BUSHING	CRANKSHAFT	1
12-1	035500	BEARING	MAIN-ENGINE SET STD	1
12-2	035502	BEARING	MAIN-ENGINE SET 0.25MM	1
12-3	035504	BEARING	MAIN-ENGINE SET 0.50MM	1
13	035632	KEY	WOODRUFF	2
14	035554	GEAR	BALANCE SHAFT DRIVE	1
15	035558	FLANGE	TIMING BELT PULLEY	2
16	035557	PULLEY	TIMING BELT DRIVE	1
17	035556	PULLEY	CRANKSHAFT	1
18	035623	WASHER	CRANKSHAFT PULLEY	1
19	035780	BOLT	CRANKSHAFT PULLEY	1
20	036201	PULLEY		1
21	035792	CAPSCREW	M 8 X 16 JIS INCL LOCKWASHER	4
22	035661	BOLT	MAIN BEARING CAP	8

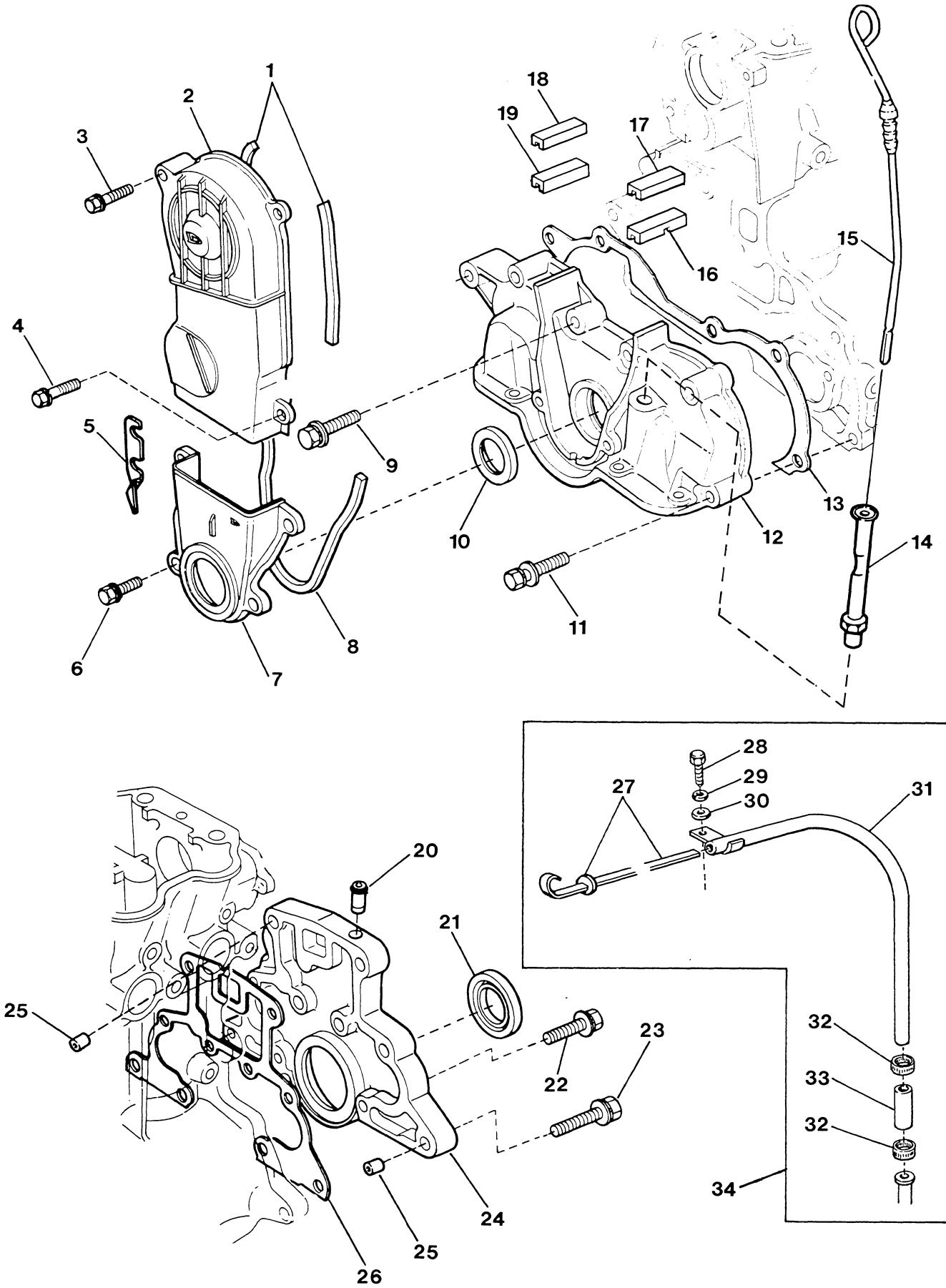
WESTERBEKE BCG-4.0-6.5KW GENERATOR - BALANCE SHAFT



WESTERBEKE BCG-4.0-6.5KW GENERATOR - BALANCE SHAFT

REF	PN	NAME	REMARKS	QUAN
1-1	035506	BEARING	SET-BALANCE SHAFT 2 CYLINDER STD	1
1-2	035508	BEARING	SET-BALANCE SHAFT 2 CYLINDER 0.5MM	1
2	035545	SHAFT	BALANCE 2 CYLINDER	2
3	035632	KEY	WOODRUFF	2
4	035549	PLATE	THRUST	2
5	035547	GEAR	BALANCE SHAFT 2 CYLINDER	2
6	031925	CAPSCREW	M 8 X 35 DIN 912	4
7	035552	SPROCKET	OIL PUMP DRIVE CHAIN	1
8	035622	WASHER		1
9	035792	CAPSCREW	M 8 X 16 JIS INCL LOCKWASHER	1
10	035546	SHAFT	BALANCE 3 CYLINDER	1
11	035632	KEY	WOODRUFF	1
12	035550	PLATE	THRUST	1
13	035548	GEAR	BALANCE SHAFT 3 CYLINDER	1
14	031925	CAPSCREW	M 8 X 35 DIN 912	2
15	035551	SPROCKET	OIL PUMP DRIVE CHAIN	1
16	035544	WEIGHT	BALANCE 3 CYLINDER	1
17	035626	WASHER		1
18	033651	CAPSCREW	M10 X 1.25 X 20 JIS-FLANGE	1
19-1	035507	BEARING	SET-BALANCE SHAFT 3 CYLINDER STD	1
19-2	035509	BEARING	SET-BALANCE SHAFT 3 CYLINDER 0.5MM	1

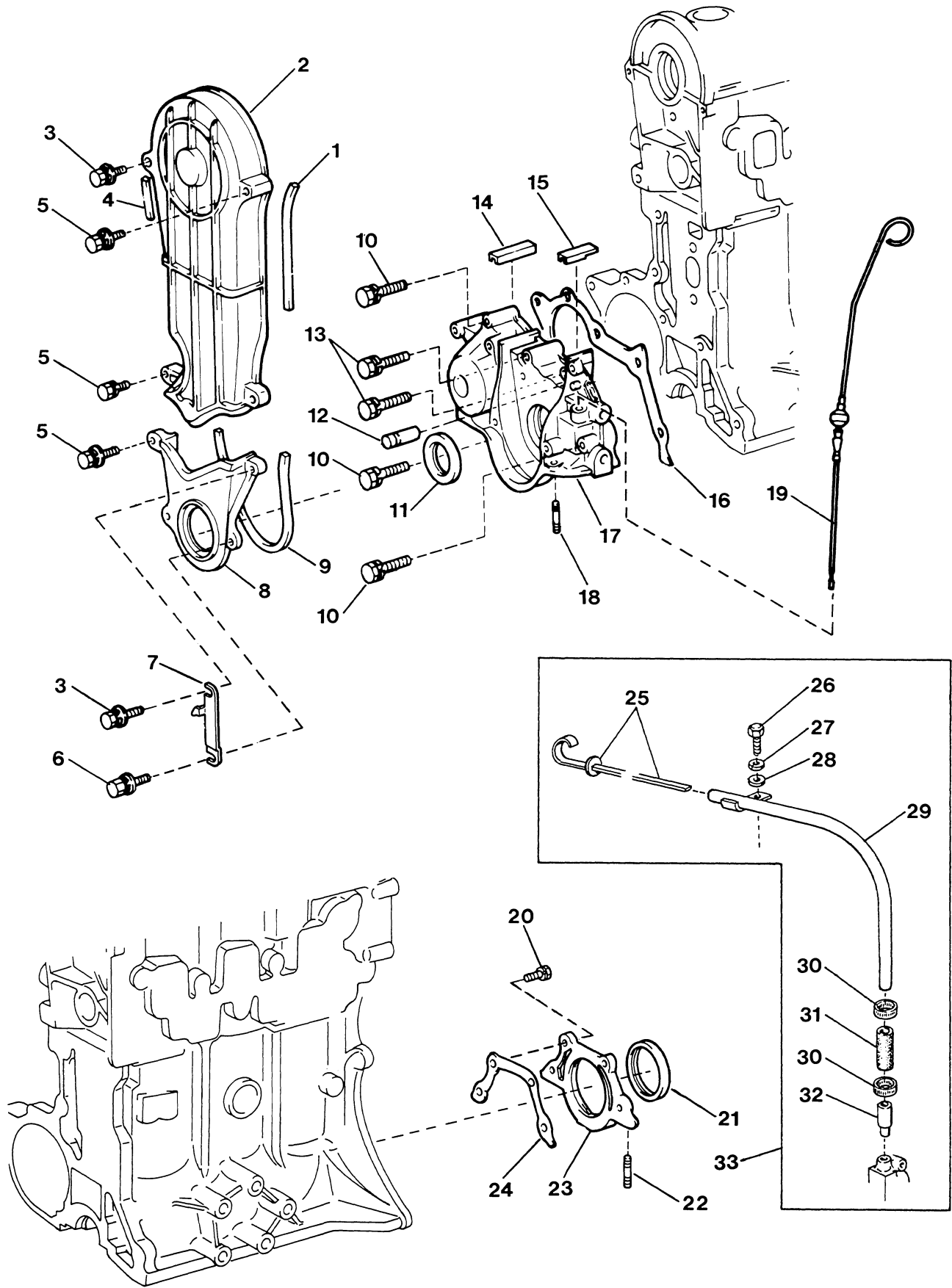
WESTERBEKE BCG-4.0KW GENERATOR - TIMING CASE



WESTERBEKE BCG-4.0KW GENERATOR - TIMING CASE

REF	PN	NAME	REMARKS	QUAN
1	035638	GASKET	TIMING BELT COVER-UPPER	2
2	035486	COVER	TIMING BELT-UPPER	1
3	035789	CAPSCREW	M 6 X 45 JIS INCL LOCKWASHER	1
4	035810	CAPSCREW	M 6 X 25 JIS INCL WASHER & LOCKWASHER	5
5	035495	POINTER	TIMING	1
6	035809	CAPSCREW	M 6 X 16 JIS INCL WASHER & LOCKWASHER	2
7	035488	COVER	TIMING BELT-LOWER	1
8	035639	GASKET	TIMING BELT COVER-LOWER	1
9	035804	CAPSCREW	M 8 X 35 JIS INCL WASHER & LOCKWASHER	1
10	035647	SEAL	OIL	1
11	035805	CAPSCREW	M 8 X 55 JIS INCL WASHER & LOCKWASHER	5
12	035842	COVER	BALANCE SHAFT GEAR	1
13	035484	GASKET	BALANCE SHAFT GEAR COVER	1
14	035499	TUBE	DIPSTICK	1
15	035591	DIPSTICK		1
16	035641	SEAL	DUST	1
17	035642	SEAL	DUST	1
18	035641	SEAL	DUST	1
19	035640	SEAL	DUST	1
20	035465	TUBE		1
21	035646	SEAL	OIL	1
22-1	035803	CAPSCREW	M 8 X 30 JIS INCL WASHER & LOCKWASHER	6
22-2	035808	CAPSCREW	M 6 X 30 JIS INCL WASHER & LOCKWASHER	2
23	035806	CAPSCREW	M10X1.25X35 JIS INCL WASHER & LOCKWASHER	4
24	035490	HOUSING	BLOCK-REAR	1
25	035630	DOWEL	TUBULAR	2
26	035492	GASKET	BLOCK TO HOUSING	1
27	035893	DIPSTICK		1
28	031825	CAPSCREW	M 6 X 12 DIN 933	1
29	031783	LOCKWASHER	M 6 DIN 127	1
30	031784	WASHER	M 6 DIN 125	1
31	035899	TUBE	DIPSTICK	1
32	024906	CLAMP	HOSE	2
33	036045	HOSE	REQUIRES 2.25 INCHES	AR
34	036025	KIT	EXTENDS DIPSTICK TO OPPOSITE SIDE	1
35	035960	DRAWING	DIPSTICK KIT INSTALLATION	1

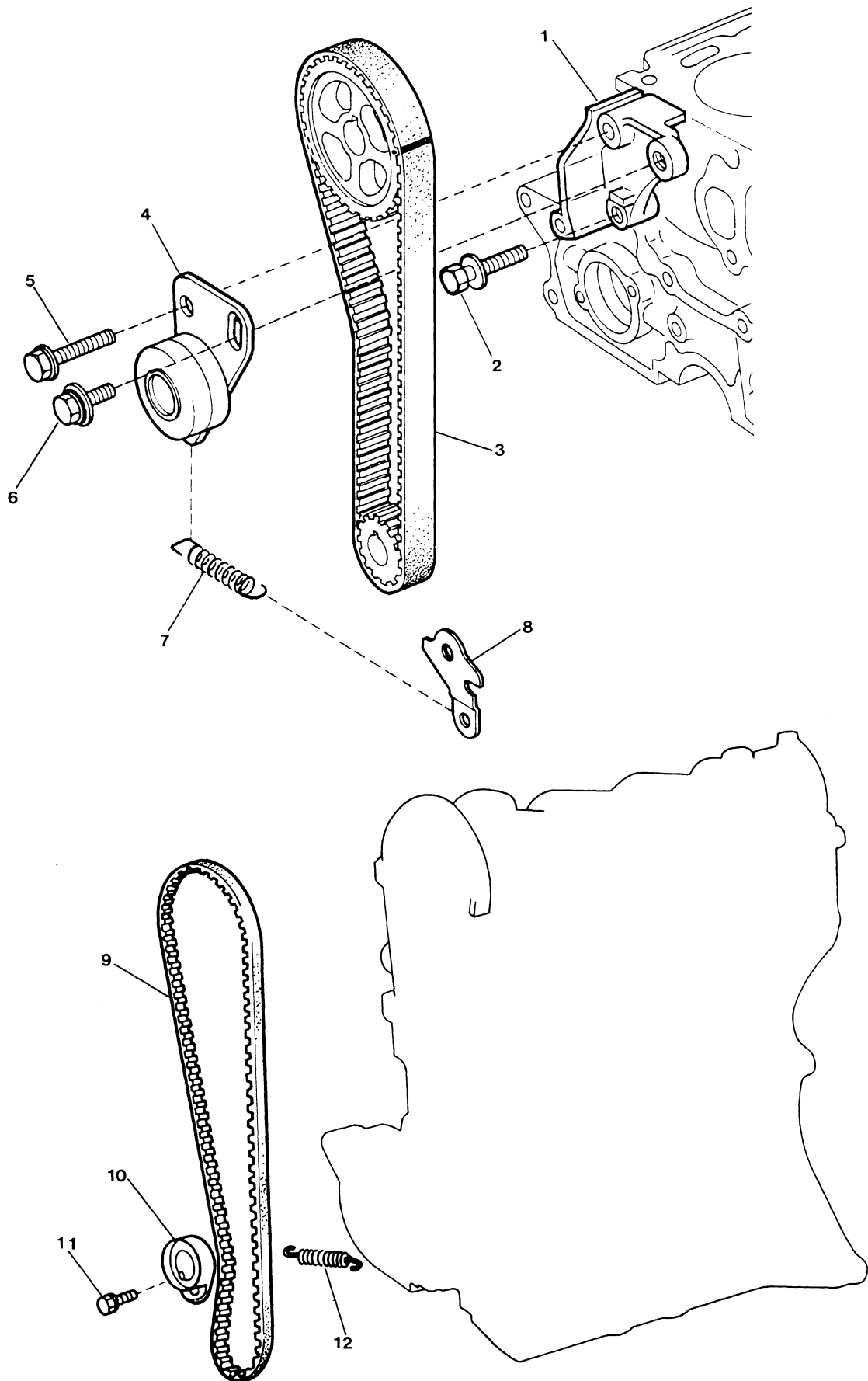
WESTERBEKE BCG-6.5KW GENERATOR - TIMING CASE



WESTERBEKE BCG-6.5KW GENERATOR - TIMING CASE

REF	PN	NAME	REMARKS	QUAN
1	035644	GASKET	TIMING BELT COVER-UPPER 215 MM LONG	1
2	035487	COVER	TIMING BELT-UPPER	1
3	035782	BOLT	TIMING BELT COVER	2
4	035638	GASKET	TIMING BELT COVER-UPPER 145 MM LONG	1
5	035810	CAPSCREW	M 6 X 25 JIS INCL WASHER & LOCKWASHER	3
6	035809	CAPSCREW	M 6 X 16 JIS INCL WASHER & LOCKWASHER	1
7	035494	POINTER	TIMING	1
8	035489	COVER	TIMING BELT-LOWER	1
9	035645	GASKET	TIMING BELT COVER-LOWER	1
10	035798	CAPSCREW	M 8 X 50 JIS INCL LOCKWASHER	3
11	035648	SEAL	OIL	1
12	036216	PIN		1
13	035795	CAPSCREW	M 8 X 35 JIS INCL LOCKWASHER	2
14	035643	SEAL	DUST	1
15	035642	SEAL	DUST	1
16	035485	GASKET	BALANCE SHAFT GEAR COVER	1
17	035483	COVER	BALANCE SHAFT GEAR	1
18	035683	STUD	M 6 X 16	1
19	035592	DIPSTICK		1
20	035793	CAPSCREW	M 8 X 25 JIS INCL LOCKWASHER	4
21	035646	SEAL	OIL	1
22	035683	STUD	M 6 X 16	1
23	035491	RETAINER	OIL SEAL	1
24	035493	GASKET	OIL SEAL RETAINER	1
25	035893	DIPSTICK		1
26	016789	CAPSCREW	M 6 X 16 DIN 933	1
27	031786	LOCKWASHER	M 8 DIN 127	1
28	031787	WASHER	M 8 DIN 125	1
29	035905	TUBE	DIPSTICK	1
30	024906	CLAMP	HOSE	2
31	036045	HOSE	REQUIRES 2.25 INCHES	AR
32-1	035904	ADAPTER	DIPSTICK TUBE	1
32-2	036023	ADHESIVE	LOC-TITE RC620	1
33	036031	KIT	EXTENDS DIPSTICK TO OPPOSITE SIDE	1
34	035961	DRAWING	DIPSTICK KIT INSTALLATION	1

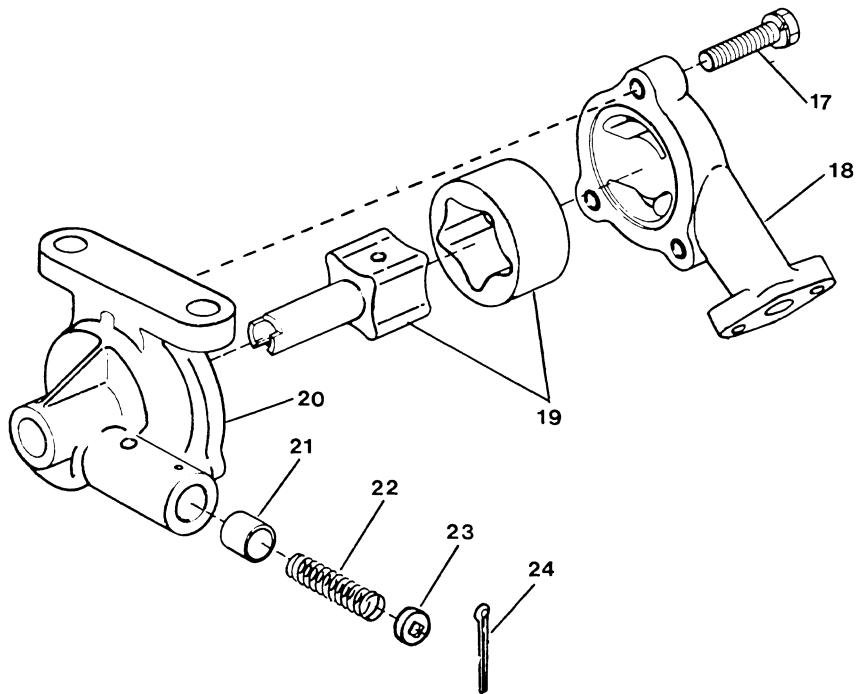
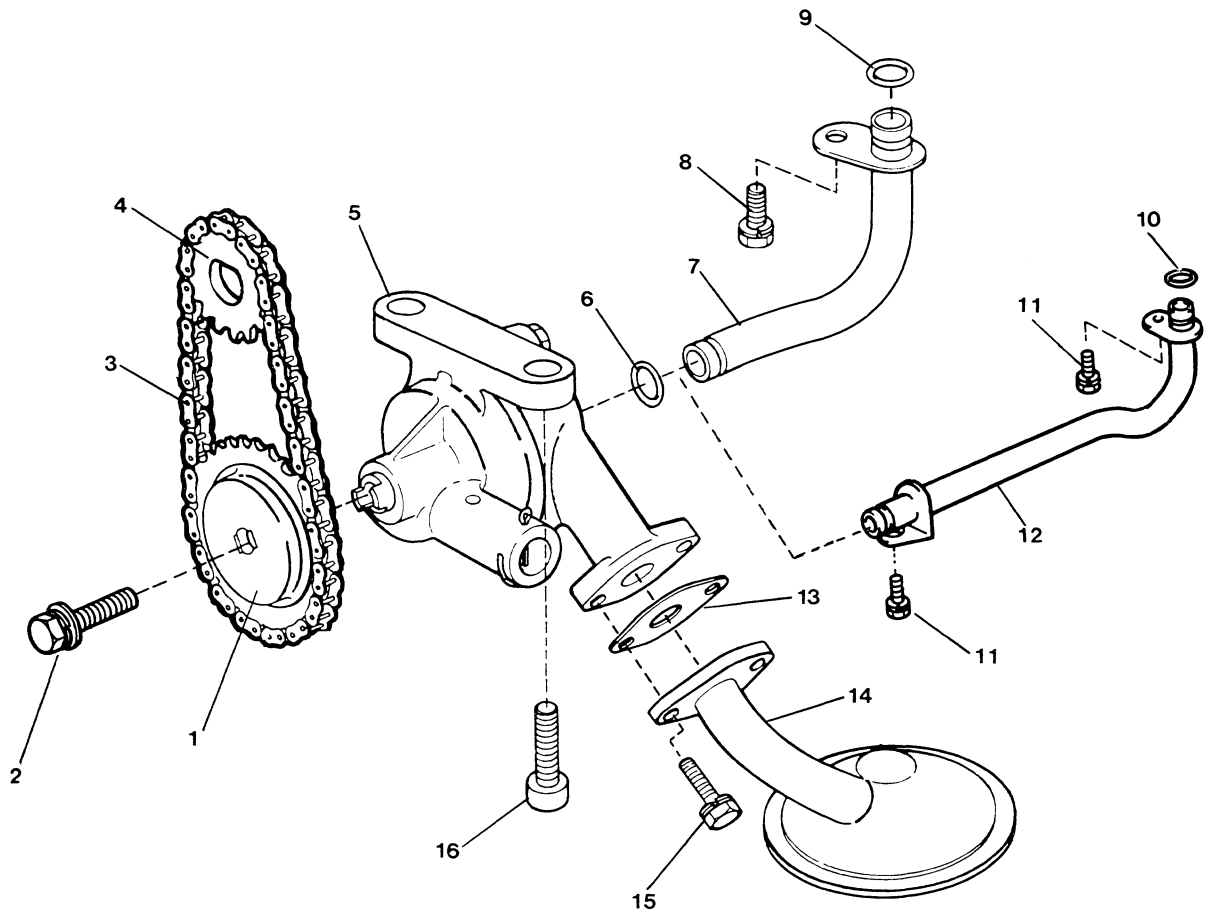
WESTERBEKE BCG-4.0-6.5KW GENERATOR - TIMING BELT



WESTERBEKE BCG-4.0-6.5KW GENERATOR - TIMING BELT

REF	PN	NAME	REMARKS	QUAN
1	035576	SPACER	TIMING BELT TENSIONER 2 CYLINDER	1
2	035794	CAPSCREW	M 8 X 30 JIS INCL LOCKWASHER	1
3	035575	BELT	TIMING 2 CYLINDER	1
4	035573	TENSIONER	TIMING BELT 2 CYLINDER	1
5	035797	CAPSCREW	M 8 X 45 JIS INCL LOCKWASHER	1
6	035802	CAPSCREW	M 8 X 20 JIS INCL WASHER & LOCKWASHER	1
7	035657	SPRING	TENSIONER 2 CYLINDER	1
8	035577	BRACKET	TENSIONER SPRING 2 CYLINDER	1
9	035578	BELT	TIMING 3 CYLINDER	1
10	035574	TENSIONER	TIMING BELT 3 CYLINDER	1
11	035783	BOLT	TENSIONER	1
12	035658	SPRING	TENSIONER 3 CYLINDER	1

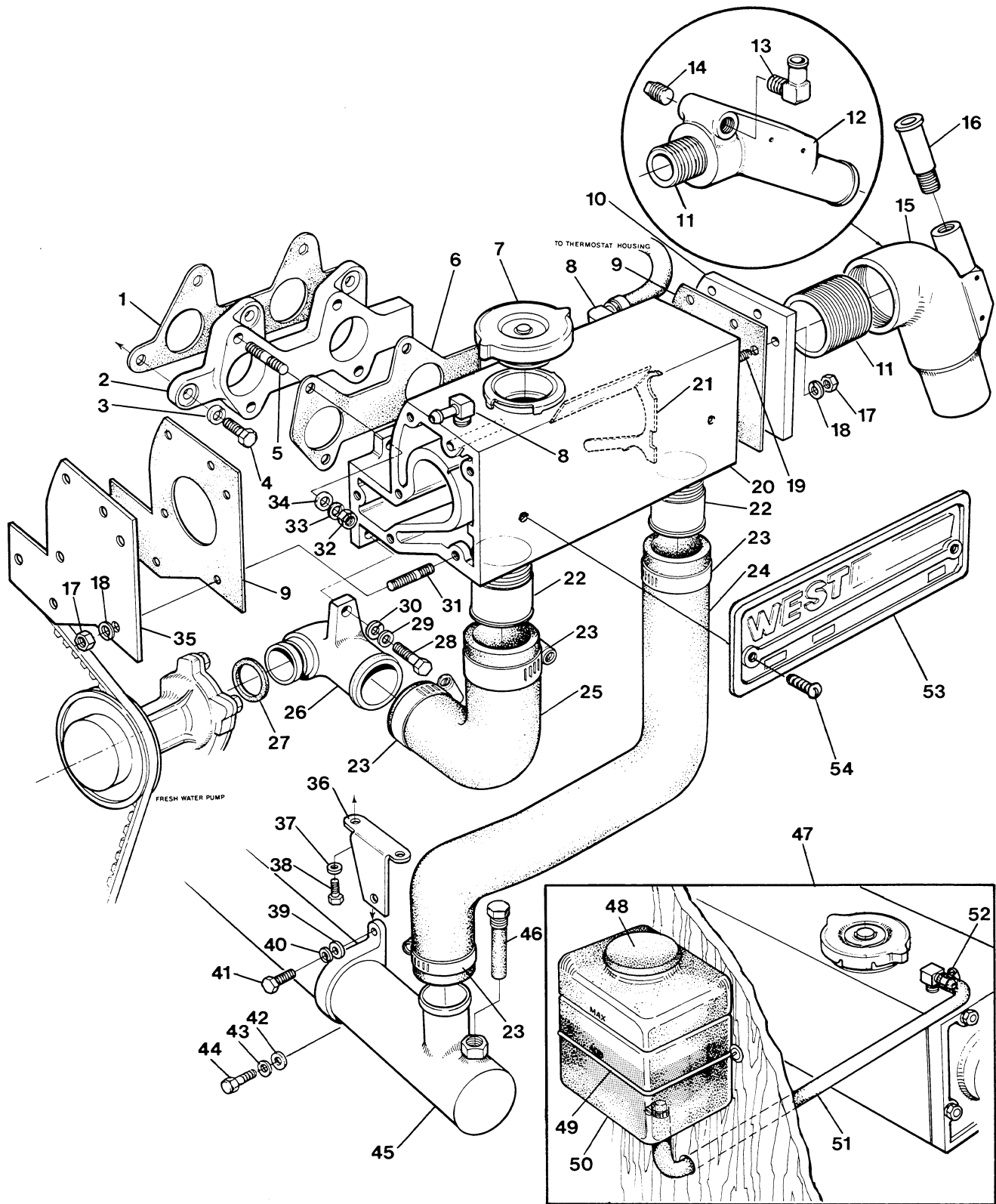
WESTERBEKE BCG-4.0-6.5KW GENERATOR - LUBE OIL PUMP



WESTERBEKE BCG-4.0-6.5KW GENERATOR - LUBE OIL PUMP

REF	PN	NAME	REMARKS	QUAN
1	035590	SPROCKET	OIL PUMP DRIVE	1
2-1	035801	CAPSCREW	M 8 X 16 JIS INCL WASHER & LOCKWASHER	1
2-2	035807	CAPSCREW	M 8 X 25 JIS INCL WASHER & LOCKWASHER	1
3	035559	CHAIN	OIL PUMP DRIVE	1
4-1	035552	SPROCKET	2 CYLINDER	1
4-2	035551	SPROCKET	3 CYLINDER	1
5-1	035582	PUMP	OIL 2 CYLINDER	1
5-2	035581	PUMP	OIL 3 CYLINDER	1
6	035637	O-RING		1
7	035594	LINE	OIL PUMP TO BLOCK 2 CYLINDER	1
8	035799	CAPSCREW	M 6 X 14 JIS INCL LOCKWASHER	1
9	035636	O-RING		1
10	035637	O-RING		1
11	035799	CAPSCREW	M 6 X 14 JIS INCL LOCKWASHER	2
12	035593	LINE	OIL PUMP TO BLOCK 3 CYLINDER	1
13	035589	GASKET	STRAINER TO OIL PUMP	1
14-1	035588	STRAINER	OIL PICKUP 2 CYLINDER	1
14-2	035587	STRAINER	OIL PICKUP 3 CYLINDER	1
15	035799	CAPSCREW	M 6 X 14 JIS INCL LOCKWASHER	2
16	035793	CAPSCREW	M 8 X 25 JIS INCL LOCKWASHER	2
17	035788	CAPSCREW	M 6 X 28 JIS INCL LOCKWASHER	3
18-1	035584	COVER	OIL PUMP 2 CYLINDER	1
18-2	035583	COVER	OIL PUMP 3 CYLINDER	1
19-1	035580	ROTOR	OIL PUMP 2 CYLINDER	1
19-2	035579	ROTOR	OIL PUMP 3 CYLINDER	1
20		HOUSING	OIL PUMP-SEE REF 5	1
21	035585	VALVE	OIL RELIEF	1
22	035652	SPRING	OIL RELIEF VALVE	1
23	035586	RETAINER	OIL RELIEF VALVE	1
24	035812	PIN	COTTER	1

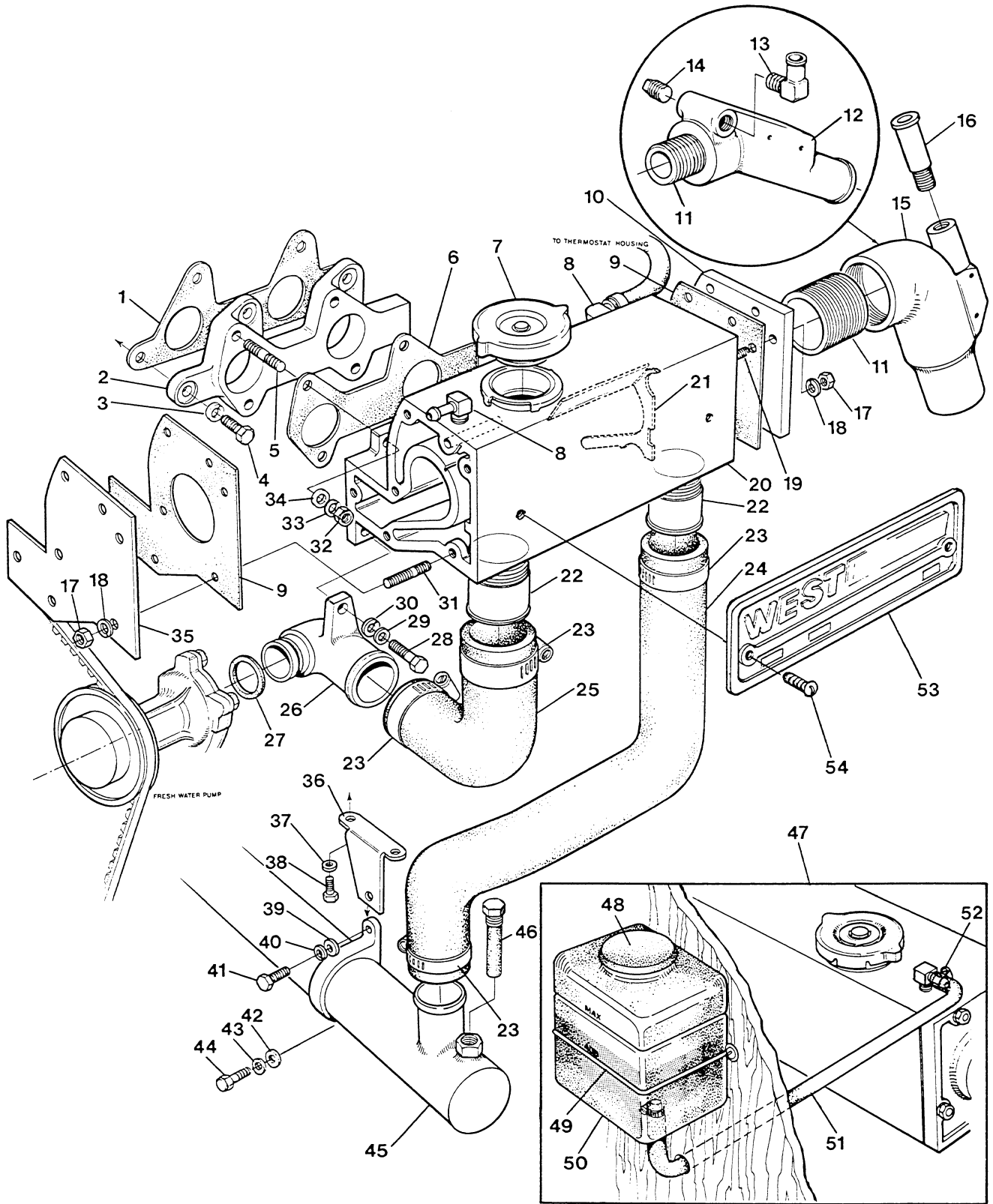
WESTERBEKE BCG-4.0KW GENERATOR - COOLING SYSTEM



WESTERBEKE BCG-4.0KW GENERATOR - COOLING SYSTEM

REF	PN	NAME	REMARKS	QUAN
1	035155	GASKET	ADAPTER TO HEAD	1
2	034948	ADAPTER	MANIFOLD TO HEAD	1
3	031786	LOCKWASHER	M 8 DIN 127	5
4	017196	CAPSCREW	M 8 X 20 DIN 933	5
5	011263	STUD		2
6	035032	GASKET	MANIFOLD TO ADAPTER	1
7	024306	CAP	PRESSURE	1
8	024907	ELBOW	1/8NPT TO 5/16ID HOSE	2
9	034660	GASKET	MANIFOLD END	2
10	034734	FLANGE	MANIFOLD END-REAR	1
11	020439	NIPPLE	1.5NPT CLOSE-USE LOC-TITE ANTISEIZE ALSO	1
12	034486	ELBOW	WATER INJECTED EXHAUST 45 DEGREE	1
13	030183	ELBOW	1/2NPT TO 7/8 HOSE	1
14	035747	PLUG	1/2NPT	1
15	033067	ELBOW	WATER INJECTED EXHAUST 90 DEGREE	1
16	032230	NIPPLE	1/2NPT TO 7/8 HOSE	1
17	031760	NUT	5/16NF	12
18	031758	LOCKWASHER	5/16	12
19	011263	STUD		6
20	034793	MANIFOLD	EXHAUST-ASSEMBLY	1
21		BAFFLE	INCLUDED IN MANIFOLD REF 20	1
22	034424	NIPPLE	1NPT TO 1-3/8 HOSE	2
23	021878	CLAMP	HOSE 20	4
24	035097	HOSE	MANIFOLD TO EXCHANGER	1
25	024334	HOSE	MANIFOLD TO FRESH WATER PUMP	1
26	035184	ELBOW	FRESH WATER PUMP CONNECTION	1
27	015610	O-RING		1
28	031555	CAPSCREW	5/16NC X 1	3
29	031758	LOCKWASHER	5/16	3
30	031759	WASHER	FLAT 5/16	3
31	011928	STUD		6
32	031760	NUT	5/16NF	2
33	031758	LOCKWASHER	5/16	2
34	031759	WASHER	FLAT 5/16	2
35	034661	COVER	MANIFOLD END-FRONT	1
36	035087	BRACKET	EXCHANGER MOUNT TO BLOCK	2
37	031783	LOCKWASHER	M 6 DIN 127	2
38	018804	CAPSCREW	M 6 X 20 DIN 933	2
39	031759	WASHER	FLAT 5/16	2
40	031758	LOCKWASHER	5/16	2

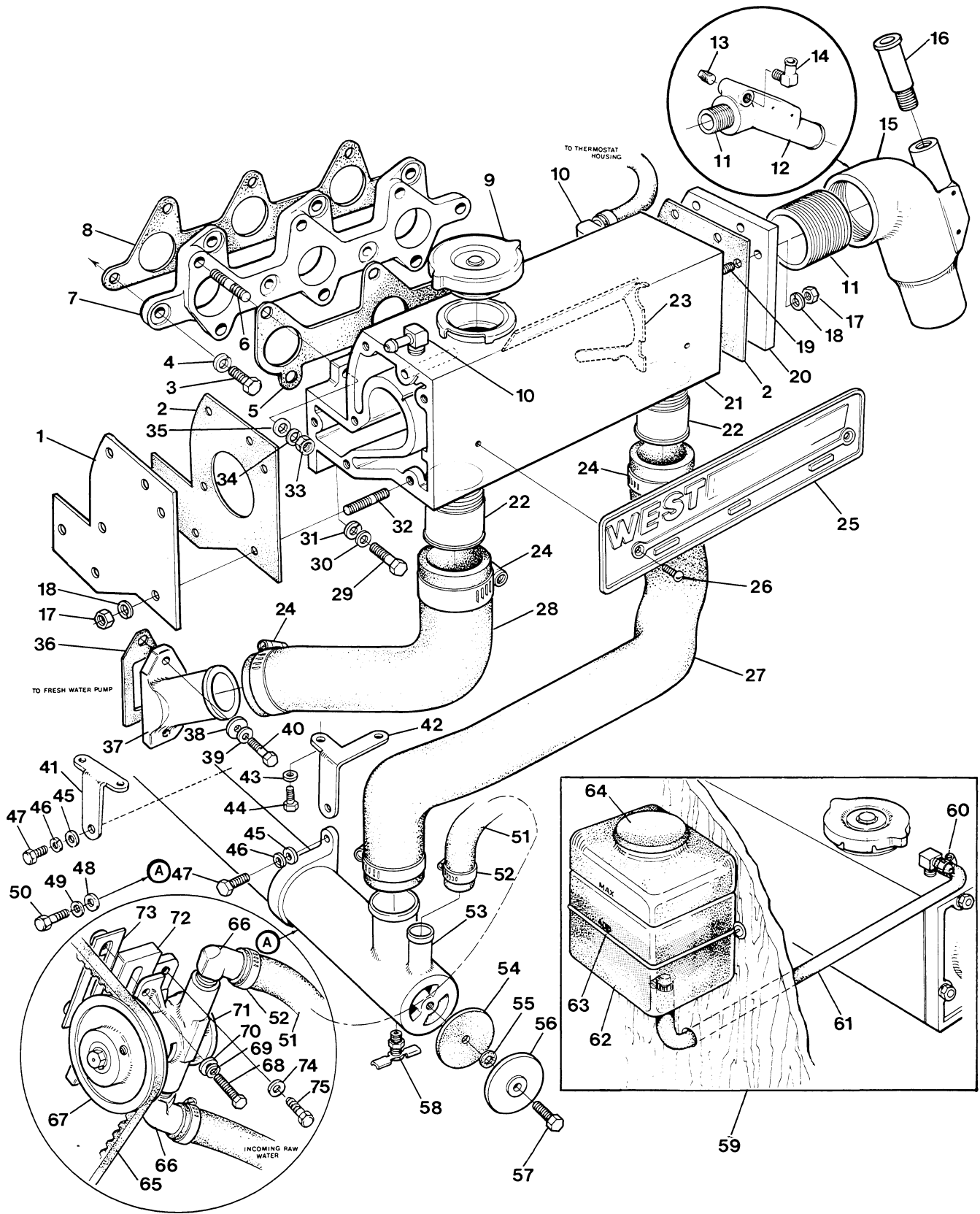
WESTERBEKE BCG-4.0KW GENERATOR - COOLING SYSTEM



WESTERBEKE BCG-4.0KW GENERATOR - COOLING SYSTEM

REF	PN	NAME	REMARKS	QUAN
41	031553	CAPSCREW	5/16NC X 3/4	2
42	031753	WASHER	FLAT 1/4	2
43	031752	LOCKWASHER	1/4	2
44	031506	CAPSCREW	1/4NC X 1-1/4	2
45	035033	EXCHANGER	HEAT	1
46	011885	ZINC		1
47	024977	KIT	COOLANT RECOVERY TANK	1
48	024858	CAP	COOLANT RECOVERY TANK	1
49	024786	STRAP	COOLANT RECOVERY TANK MOUNTING	1
50	024704	TANK	COOLANT RECOVERY	1
51	024637	TUBING	COOLANT RECOVERY TANK-INCHES REQUIRED	30
52	024906	CLAMP	HOSE	2
53	035411	NAMEPLATE		1
54		SCREW	8-32 X 1/4 OVAL HEAD SS	2

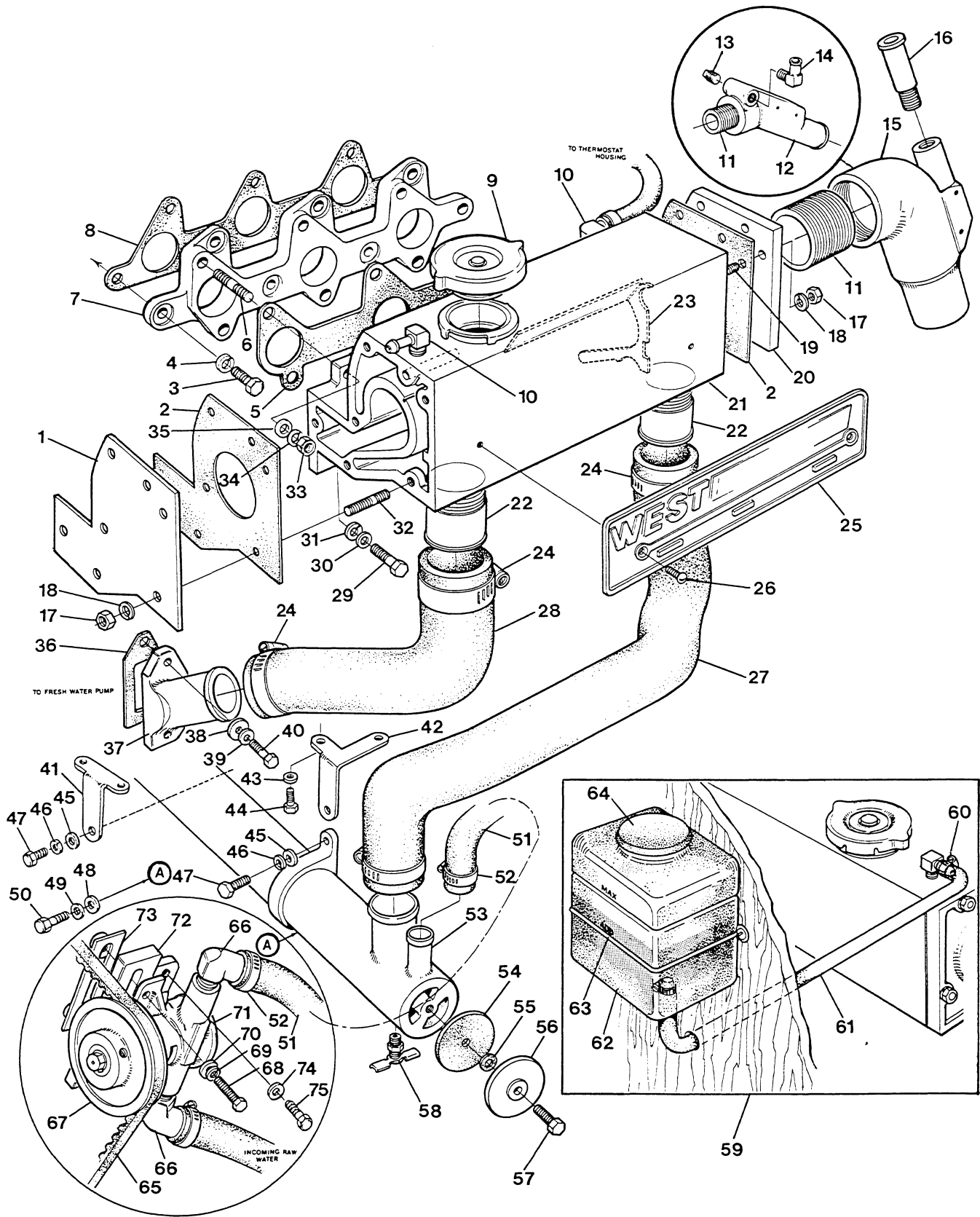
WESTERBEKE BCG-6.5KW GENERATOR - COOLING SYSTEM



WESTERBEKE BCG-6.5KW GENERATOR - COOLING SYSTEM

REF	PN	NAME	REMARKS	QUAN
1	034661	COVER	MANIFOLD END-FRONT	1
2	034660	GASKET	MANIFOLD END	2
3	017196	CAPSCREW	M 8 X 20 DIN 933	7
4	031786	LOCKWASHER	M 8 DIN 127	7
5	034724	GASKET	MANIFOLD TO ADAPTER	1
6	011263	STUD		3
7	034722	ADAPTER	MANIFOLD TO HEAD	1
8	035154	GASKET	ADAPTER TO HEAD	1
9	024306	CAP	PRESSURE	1
10	024907	ELBOW	1/8NPT TO 5/16 HOSE	2
11	020439	NIPPLE	1.5NPT CLOSE USE LOC-TITE ANTISEIZE ALSO	1
12	034486	ELBOW	WATER INJECTED EXHAUST 45 DEGREE	1
13	035747	PLUG	1/2NPT	1
14	030183	ELBOW	1/2NPT TO 7/8 HOSE	1
15	033067	ELBOW	WATER INJECTED EXHAUST 90 DEGREE	1
16	032230	NIPPLE	1/2NPT TO 7/8 HOSE	1
17	031760	NUT	5/16NF	12
18	031758	LOCKWASHER	5/16	12
19	011263	STUD		6
20	034734	FLANGE	MANIFOLD END-REAR	1
21	034803	MANIFOLD	EXHAUST-ASSEMBLY	1
22	034424	NIPPLE	1NPT TO 1-3/8 HOSE	2
23		BAFFLE	INCLUDED IN MANIFOLD ASSEMBLY REF 21	1
24	021878	CLAMP	HOSE 20	4
25	035411	NAMEPLATE		1
26		SCREW	8-32 X 1/4 OVAL HEAD SS	2
27	035099	HOSE	EXCHANGER TO MANIFOLD	1
28	024334	HOSE	MANIFOLD TO FRESH WATER PUMP	1
29	031555	CAPSCREW	5/16NC X 1	3
30	031758	LOCKWASHER	5/16	3
31	031759	WASHER	FLAT 5/16	3
32	011928	STUD		6
33	031760	NUT	5/16NF	3
34	031758	LOCKWASHER	5/16	3
35	031759	WASHER	FLAT 5/16	3
36	035255	GASKET	CONNECTOR TO FRESH WATER PUMP	1
37	035186	CONNECTOR	FRESH WATER PUMP	1
38	031787	WASHER	M 8 DIN 125	2
39	031786	LOCKWASHER	M 8 DIN 127	2
40	013630	CAPSCREW	M 8 X 25 DIN 933	2
41	031504	BRACKET	EXCHANGER MOUNTING TO BLOCK-RIGHT	1
42	035103	BRACKET	EXCHANGER MOUNTING TO BLOCK-LEFT	1
43		LOCKWASHER	INCLUDED IN REF 44	
44	035800	CAPSCREW	M 6 X 16 JIS INCL LOCKWASHER	4

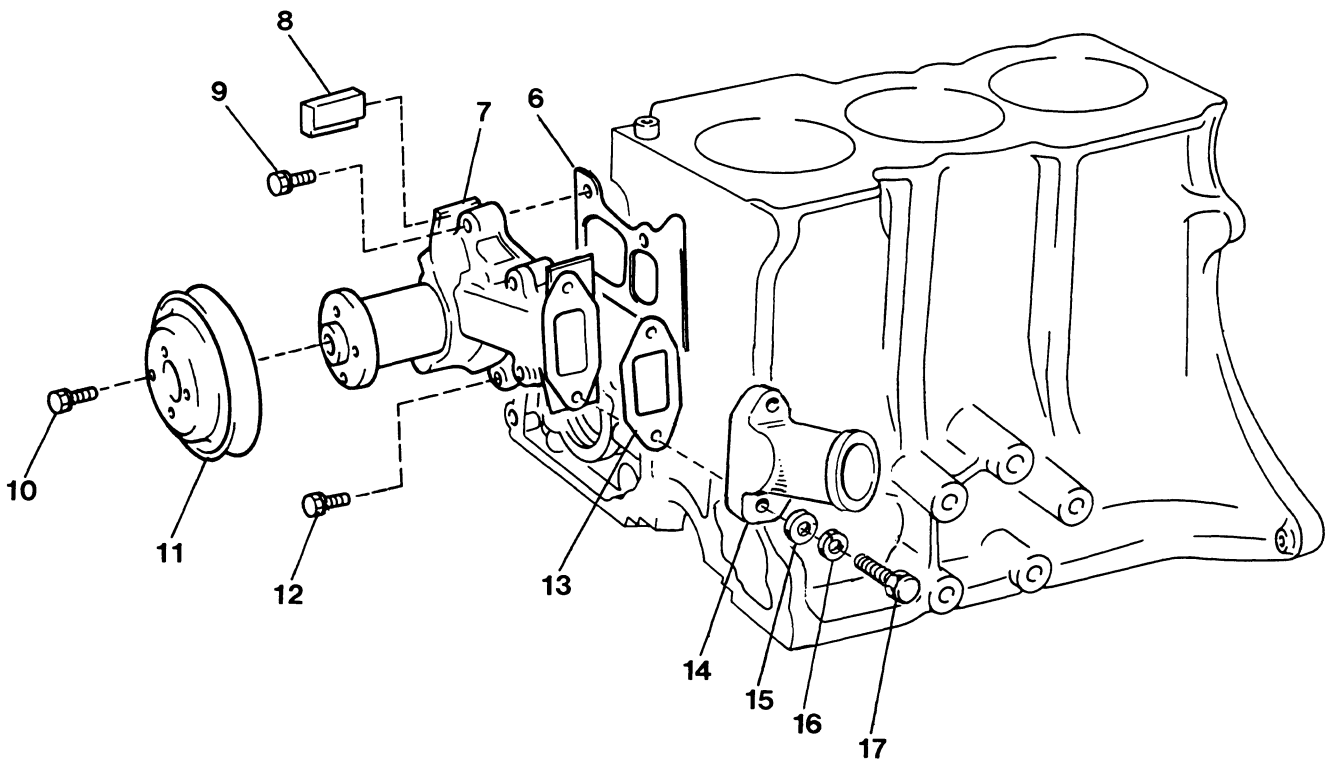
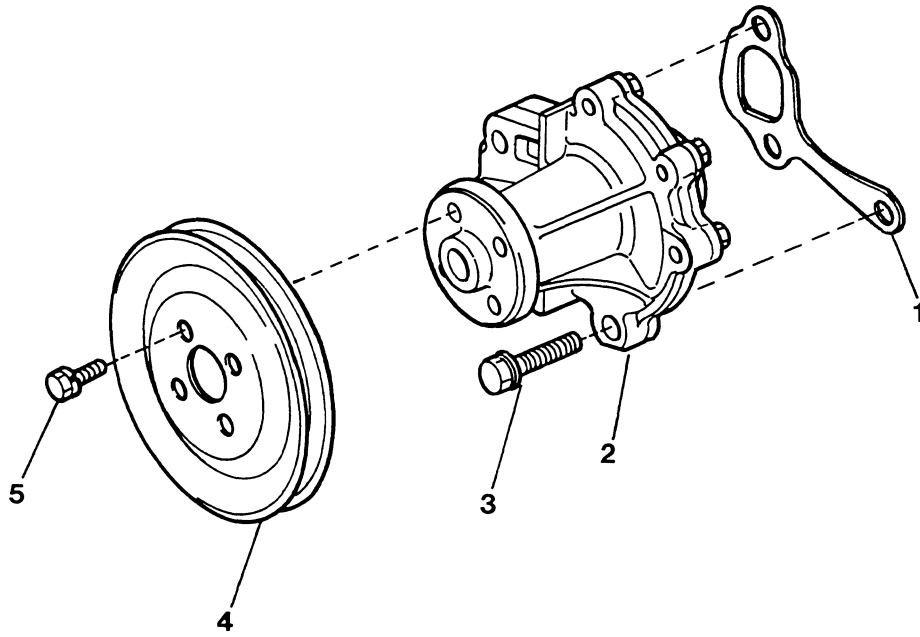
WESTERBEKE BCG-6.5KW GENERATOR - COOLING SYSTEM



WESTERBEKE BCG-6.5KW GENERATOR - COOLING SYSTEM

REF	PN	NAME	REMARKS	QUAN
45	031759	WASHER	FLAT 5/16	2
46	031758	LOCKWASHER	5/16	2
47	031553	CAPSCREW	5/16NC X 3/4	2
48	031753	WASHER	FLAT 1/4	2
49	031752	LOCKWASHER	1/4	2
50	031506	CAPSCREW	1/4NC X 1-1/4	2
51	030166	HOSE	SEA WATER PUMP TO EXCHANGER	1
52	011386	CLAMP	HOSE 12	2
53	035298	EXCHANGER	HEAT	1
54	033298	GASKET	EXCHANGER END	1
55	019321	O-RING		1
56	033297	COVER	EXCHANGER END	1
57	033402	CAPSCREW	5/16NC X 1/2 BRASS	1
58	011471	PETCOCK		1
59	024977	KIT	COOLANT RECOVERY TANK	1
60	024906	CLAMP	HOSE	2
61	024637	TUBING	COOLANT RECOVERY TANK-INCHES REQUIRED	30
62	024904	TANK	COOLANT RECOVERY	1
63	024786	STRAP	COOLANT RECOVERY TANK MOUNTING	1
64	024858	CAP	COOLANT RECOVERY TANK	1
65	032977	BELT	SEA WATER PUMP DRIVE	1
66	034710	ELBOW	3/8NPT TO 7/8 HOSE	2
67	035265	PULLEY	SEA WATER PUMP DRIVE	1
68	031506	CAPSCREW	1/4NC X 1-1/4	2
69	031752	LOCKWASHER	1/4	2
70	031753	WASHER	FLAT 1/4	2
71	032617	PUMP	SEA WATER	1
72	035260	BRACKET	SEA WATER PUMP MOUNTING	1
73	033018	PLATE	SEA WATER PUMP ADJUSTING	1
74	019262	LOCKWASHER	M10 DIN 127	2
75	031228	CAPSCREW	M10 X 1.25 X 30 DIN 961	2

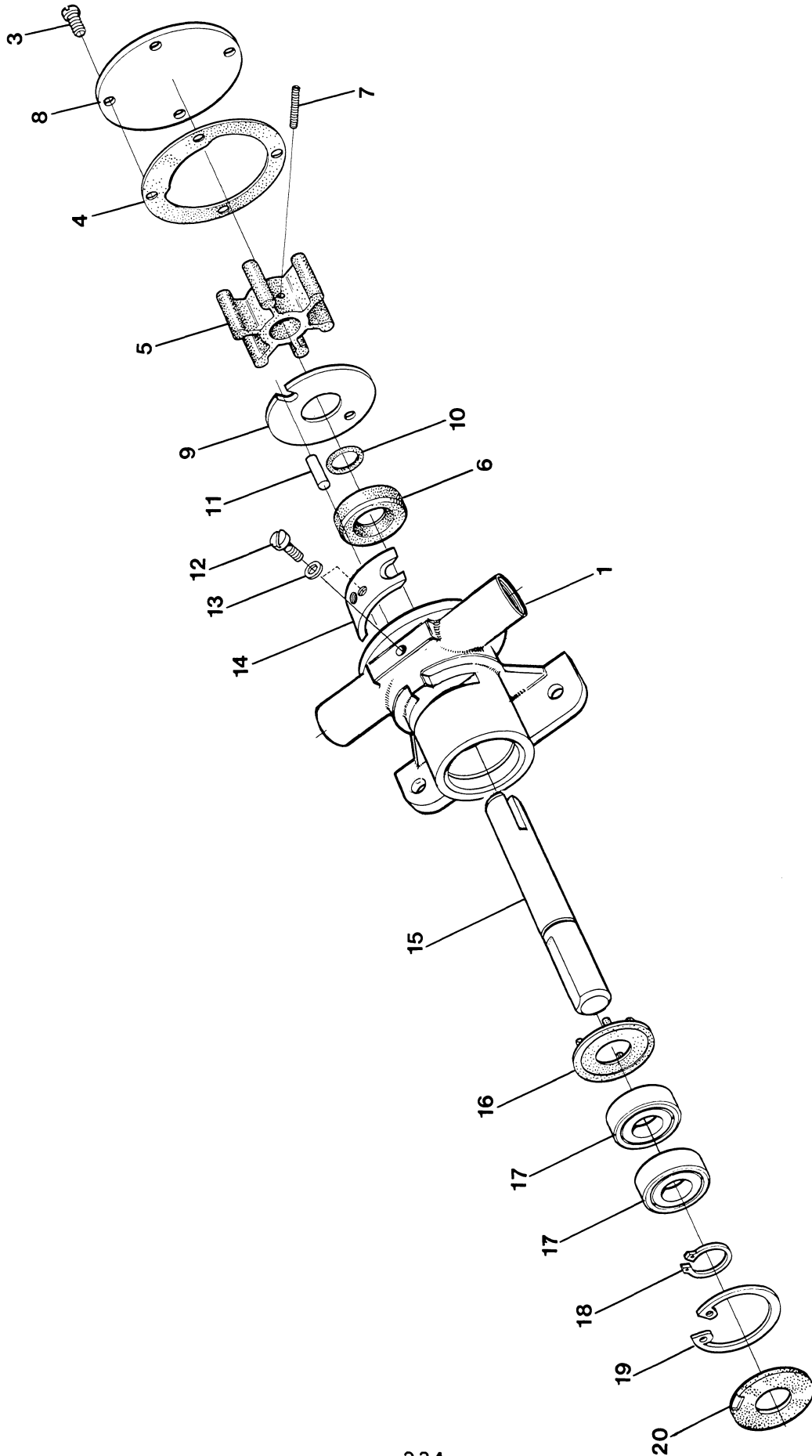
WESTERBEKE BCG-4.0-6.5KW GENERATOR - FRESH WATER PUMP



WESTERBEKE BCG-4.0-6.5KW GENERATOR - FRESH WATER PUMP

REF	PN	NAME	REMARKS	QUAN
1	035601	GASKET	FRESH WATER PUMP TO BLOCK 2 CYLINDER	1
2	035600	PUMP	FRESH WATER INCL GASKET 2 CYLINDER	1
3	035795	CAPSCREW	M 8 X 35 JIS INCL LOCKWASHER	3
4	035603	PULLEY	FRESH WATER PUMP 2 CYLINDER	1
5	035785	CAPSCREW	M 6 X 12 JIS INCL LOCKWASHER	4
6	035602	GASKET	FRESH WATER PUMP TO BLOCK 3 CYLINDER	1
7	035599	PUMP	FRESH WATER INCL GASKET 3 CYLINDER	1
8	035642	SEAL	DUST	2
9	035794	CAPSCREW	M 8 X 30 JIS INCL LOCKWASHER	1
10	035785	CAPSCREW	M 6 X 12 JIS INCL LOCKWASHER	4
11	035604	PULLEY	FRESH WATER PUMP 3 CYLINDER	1
12	035796	CAPSCREW	M 8 X 40 JIS INCL LOCKWASHER	2
13	035255	GASKET	FRESH WATER PUMP TO CONNECTOR	1
14	035186	CONNECTOR	FRESH WATER PUMP	1
15	031787	WASHER	M 8 DIN 125	2
16	031786	LOCKWASHER	M 8 DIN 127	2
17	013630	CAPSCREW	M 8 X 25 DIN 933	2

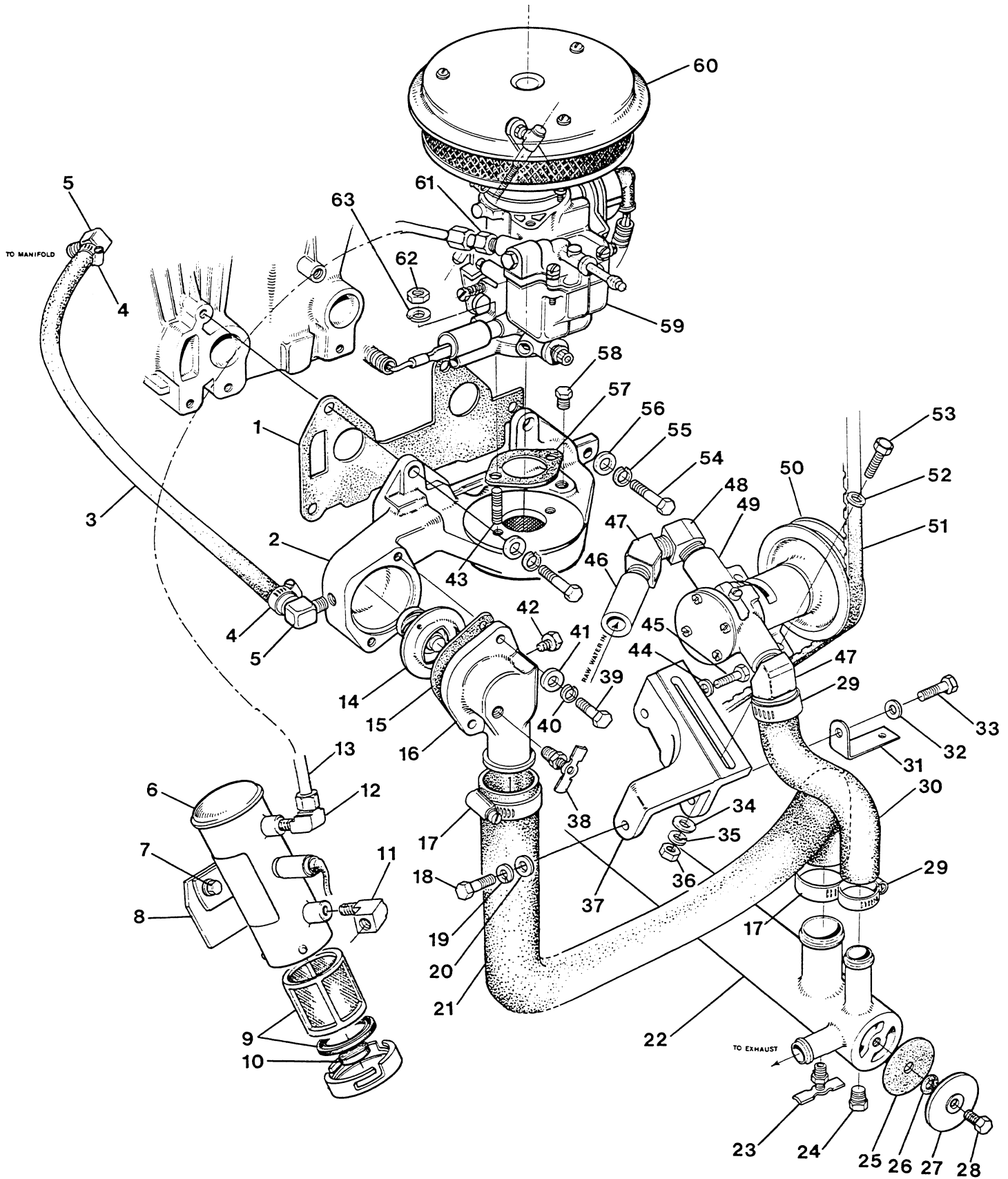
WESTERBEKE BCG-4.0-6.5KW GENERATOR - SEA WATER PUMP



WESTERBEKE BCG-4.0-6.5KW GENERATOR - SEA WATER PUMP

REF	PN	NAME	REMARKS	QUAN
1	032617	PUMP	SEA WATER	1
2	032620	KIT	IMPELLER INCL REF 3 THRU 7	1
3		SCREW	COVER-SEE KIT REF 2	4
4	033032	GASKET	IMPELLER COVER	1
5		IMPELLER	SEE KIT REF 2	1
6		SEAL	SEE KIT REF 2	1
7		SCREW	IMPELLER-SEE KIT REF 2	1
8	032625	COVER	IMPELLER	1
9	033036	PLATE	WEAR	1
10		O-RING		1
11		DOWEL		1
12	033038	SCREW	CAM	1
13	033037	WASHER		1
14	033031	CAM		1
15		SHAFT		1
16		COVER	BEARING-INNER	1
17		BEARING		2
18		RING	RETAINING	1
19		RING	RETAINING	1
20		COVER	BEARING-OUTER	1
21-1		NOTE	ABSENCE OF A PART NUMBER INDICATES THAT	
21-2			ITEM NOT AVAILABLE AS A LOOSE PART	

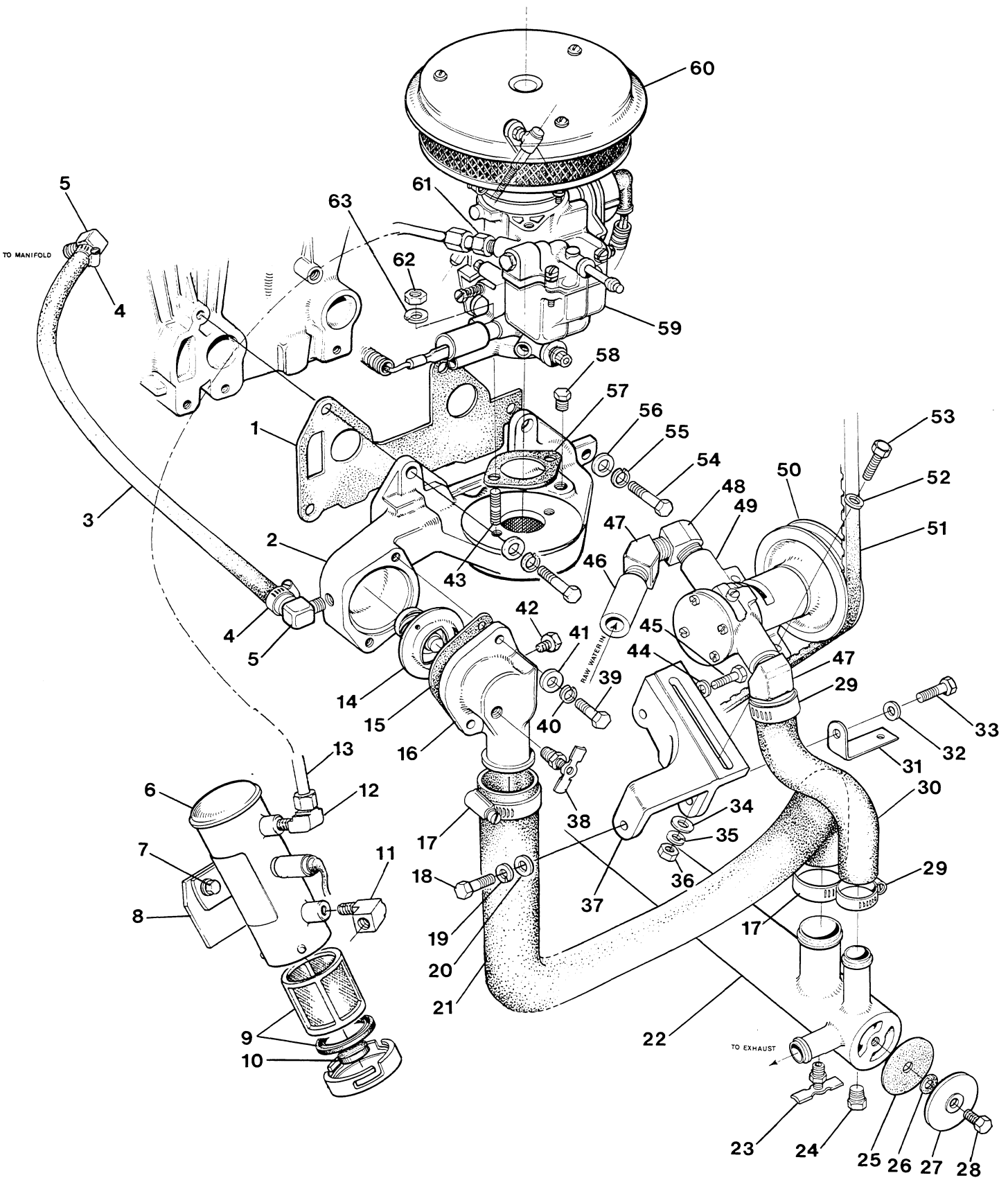
WESTERBEKE BCG-4.0KW GENERATOR - FUEL SYSTEM - COOLING (RIGHT SIDE)



WESTERBEKE BCG-4.0KW GENERATOR - FUEL SYSTEM - COOLING (RIGHT SIDE)

REF	PN	NAME	REMARKS	QUAN
1	035153	GASKET	INTAKE MANIFOLD TO HEAD	1
2	034896	MANIFOLD	INTAKE	1
3	035434	HOSE	BYPASS THERMOSTAT TO MANIFOLD	1
4	024906	CLAMP	HOSE	2
5	024907	ELBOW	1/8NPT TO 5/16 HOSE	2
6	033630	PUMP	ELECTRIC FUEL LIFT 12VDC	1
7-1	031503	CAPSCREW	1/4NC X 3/4	2
7-2	031752	LOCKWASHER	1/4	2
7-3	031753	WASHER	FLAT 1/4	2
8	035288	BRACKET	LIFT PUMP MOUNTING	1
9	035920	FILTER	LIFT PUMP INCL GASKET	1
10	033792	MAGNET	LIFT PUMP	1
11	013340	ELBOW	1/8NPT STREET 90 BRASS	1
12-1	013329	ELBOW	COMPRESSION INCL NUT AND FERRULE	1
12-2	016676	NUT	COMPRESSION 1/4	1
12-3	011597	FERRULE	COMPRESSION 1/4	1
13	035778	TUBE	LIFT PUMP TO CARBURETOR	1
14	035736	THERMOSTAT		1
15	034196	GASKET	THERMOSTAT HOUSING	1
16	034416	HOUSING	THERMOSTAT	1
17	021878	CLAMP	HOSE 20	2
18	031811	CAPSCREW	M 8 X 55 DIN 931	1
19	031786	LOCKWASHER	M 8 DIN 127	1
20	031787	WASHER	M 8 DIN 125	1
21	035096	HOSE	THERMOSTAT TO EXCHANGER	1
22	035021	EXCHANGER	HEAT	1
23	011471	PETCOCK		1
24	019369	PLUG	1/8NPT BRASS	1
25	033298	GASKET	EXCHANGER END	1
26	019321	O-RING		1
27	033297	COVER	EXCHANGER END	1
28	033402	CAPSCREW	5/16NC X 1/2 BRASS	1
29	011386	CLAMP	HOSE 12	2
30	019059	HOSE	7/8 WIRE INSERTED-INCHES REQUIRED	9
31	035278	BRACKET	BELT GUARD	1
32	031786	LOCKWASHER	M 8 DIN 127	1
33	013630	CAPSCREW	M 8 X 25 DIN 933	1
34	031753	WASHER	FLAT 1/4	2
35	031752	LOCKWASHER	1/4	2
36	031750	NUT	1/4NC	2
37	035036	BRACKET	SEA WATER PUMP MOUNTING	1

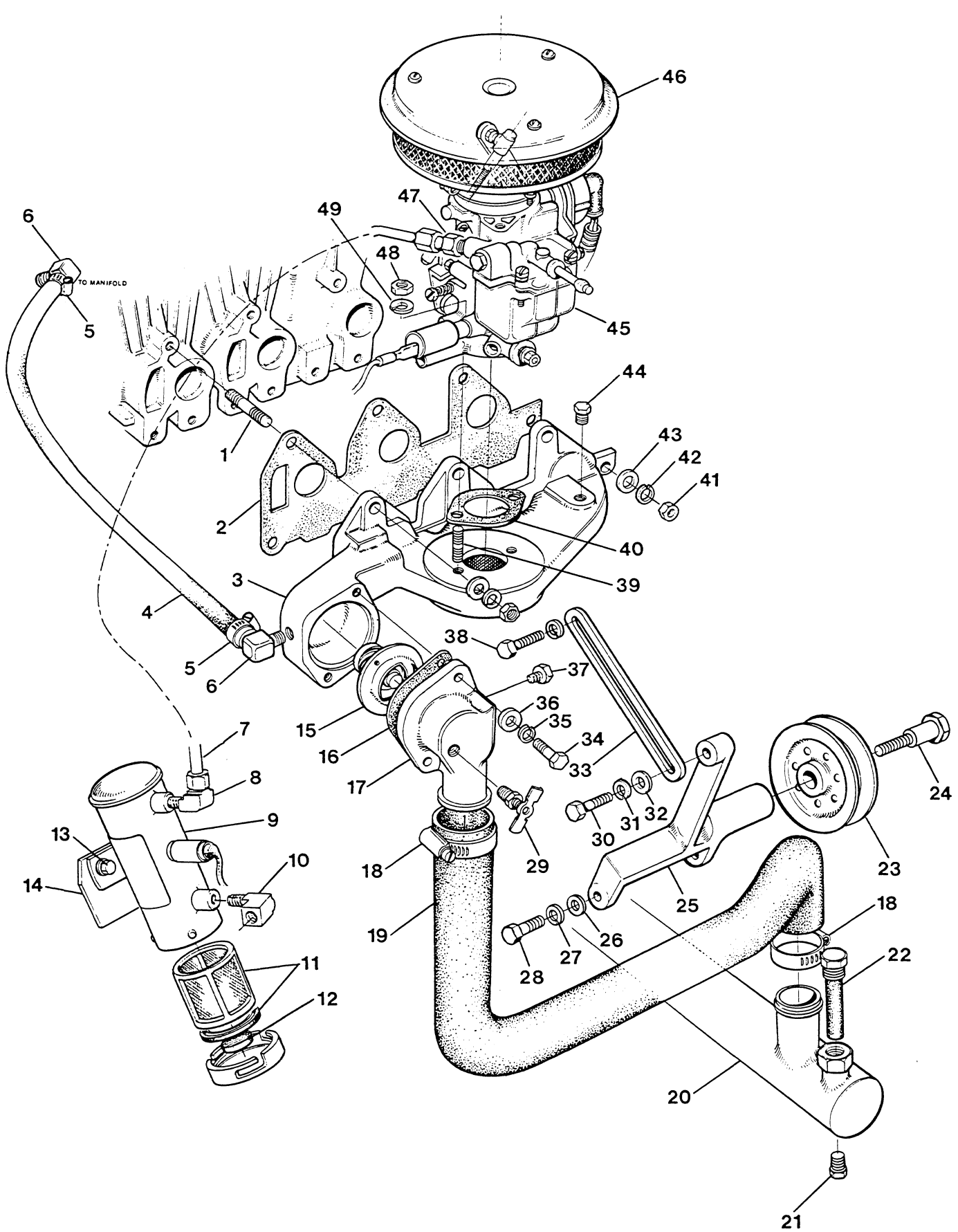
WESTERBEKE BCG-4.0KW GENERATOR - FUEL SYSTEM - COOLING (RIGHT SIDE)



WESTERBEKE BCG-4.0KW GENERATOR - FUEL SYSTEM - COOLING (RIGHT SIDE)

REF	PN	NAME	REMARKS	QUAN
38	011471	PETCOCK		1
39	031555	CAPSCREW	5/16NC X 1	2
40	031758	LOCKWASHER	5/16	2
41	031759	WASHER	FLAT 5/16	2
42	019369	PLUG	1/8NPT BRASS	1
43	035337	STUD		2
44	031786	LOCKWASHER	M 8 DIN 127	1
45	031225	CAPSCREW	M 8 X 60 DIN 931	1
46	032947	NIPPLE	3/8NPT TO 7/8 HOSE	2
47	013337	ELBOW	3/8NPT STREET 45 BRASS	2
48	013338	ELBOW	3/8NPT STREET 90 BRASS	1
49	032617	PUMP	SEA WATER	1
50-1	035860	PULLEY	SEA WATER PUMP DRIVE	1
50-2	011357	SETSCREW	PULLEY-LOCKING	1
51	035299	BELT	SEA WATER PUMP DRIVE	1
52	031753	WASHER	FLAT 1/4	2
53	031505	CAPSCREW	1/4NC X 1	2
54	013630	CAPSCREW	M 8 X 25 DIN 933	5
55	031786	LOCKWASHER	M 8 DIN 127	5
56	031787	WASHER	M 8 DIN 125	5
57	035293	GASKET	CARBURETOR TO INTAKE MANIFOLD	1
58	019369	PLUG	1/8NPT BRASS	1
59	035341	CARBURETOR	ASSEMBLY	1
60	035289	ARRESTOR	FLAME	1
61-1	019449	CONNECTOR	COMPRESSION INCL NUT & FERRULE	1
61-2	016676	NUT	COMPRESSION 1/4	1
61-3	011597	FERRULE	COMPRESSION 1/4	1
62	031750	NUT	1/4NC	2
63	031752	LOCKWASHER	1/4	2

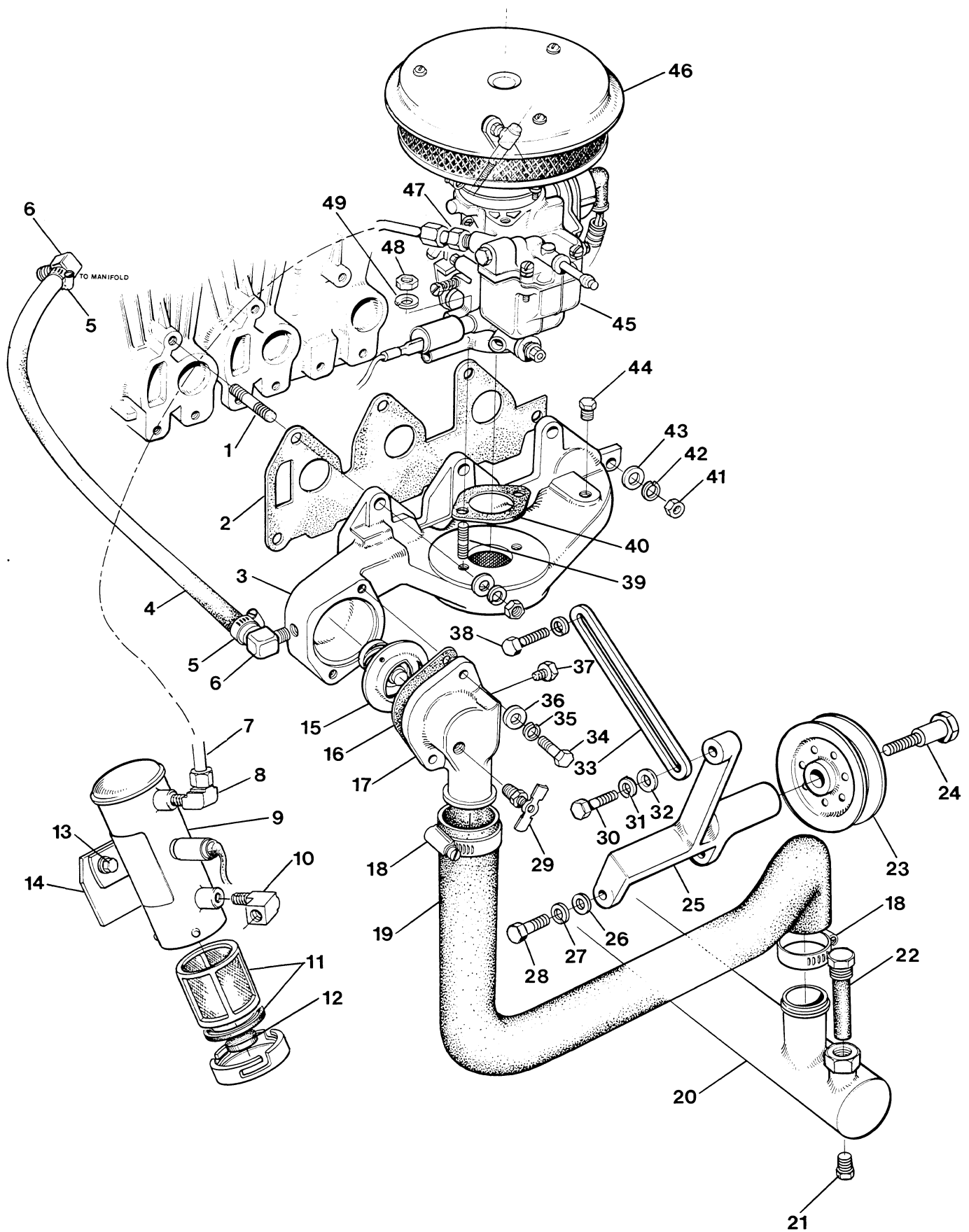
WESTERBEKE BCG-6.5KW GENERATOR - FUEL SYSTEM - COOLING (RIGHT SIDE)



WESTERBEKE BCG-6.0KW GENERATOR - FUEL SYSTEM - COOLING (RIGHT SIDE)

REF	PN	NAME	REMARKS	QUAN
1	015830	STUD	M 8 X 25 DIN 939	7
2	035152	GASKET	INTAKE MANIFOLD TO HEAD	1
3	034860	MANIFOLD	INTAKE	1
4	035434	HOSE	BYPASS THERMOSTAT TO MANIFOLD	1
5	024906	CLAMP	HOSE	2
6	024907	ELBOW	1/8NPT TO 5/16 HOSE	2
7	035771	TUBE	LIFT PUMP TO CARBURETOR	1
8-1	013329	ELBOW	COMPRESSION INCL NUT & FERRULE	1
8-2	016676	NUT	COMPRESSION 1/4	1
8-3	011597	FERRULE	COMPRESSION 1/4	1
9	033630	PUMP	ELECTRIC FUEL LIFT 12VDC	1
10	013340	ELBOW	1/8NPT STREET 90 BRASS	1
11	032920	FILTER	LIFT PUMP INCL GASKET	1
12	033792	MAGNET	LIFT PUMP	1
13-1	031503	CAPSCREW	1/4NC X 3/4	2
13-2	031752	LOCKWASHER	1/4	2
13-3	031753	WASHER	FLAT 1/4	2
14	035288	BRACKET	LIFT PUMP MOUNTING	1
15	035736	THERMOSTAT		1
16	034196	GASKET	THERMOSTAT HOUSING	1
17	034416	HOUSING	THERMOSTAT	1
18	021878	CLAMP	HOSE 20	2
19	035098	HOSE	THERMOSTAT TO EXCHANGER	1
20	035298	EXCHANGER	HEAT	1
21	019369	PLUG	1/8NPT BRASS	1
22	011885	ZINC		1
23	035263	PULLEY	IDLER	1
24	035262	BOLT	IDLER PULLEY	1
25	035258	BRACKET	IDLER PULLEY	1
26	031789	WASHER	M10 DIN 125	1
27	019262	LOCKWASHER	M10 DIN 127	1
28	024956	CAPSCREW	M10 X 1.25 X 50 DIN 961	1
29	011471	PETCOCK		1
30	031555	CAPSCREW	5/16 X 1	1
31	031758	LOCKWASHER	5/16	1
32	033381	WASHER	ADJUSTING STRAP	1
33	035338	STRAP	ADJUSTING	1
34	031555	CAPSCREW	5/16NC X 1	2
35	031758	LOCKWASHER	5/16	2
36	031759	WASHER	FLAT 5/16	2

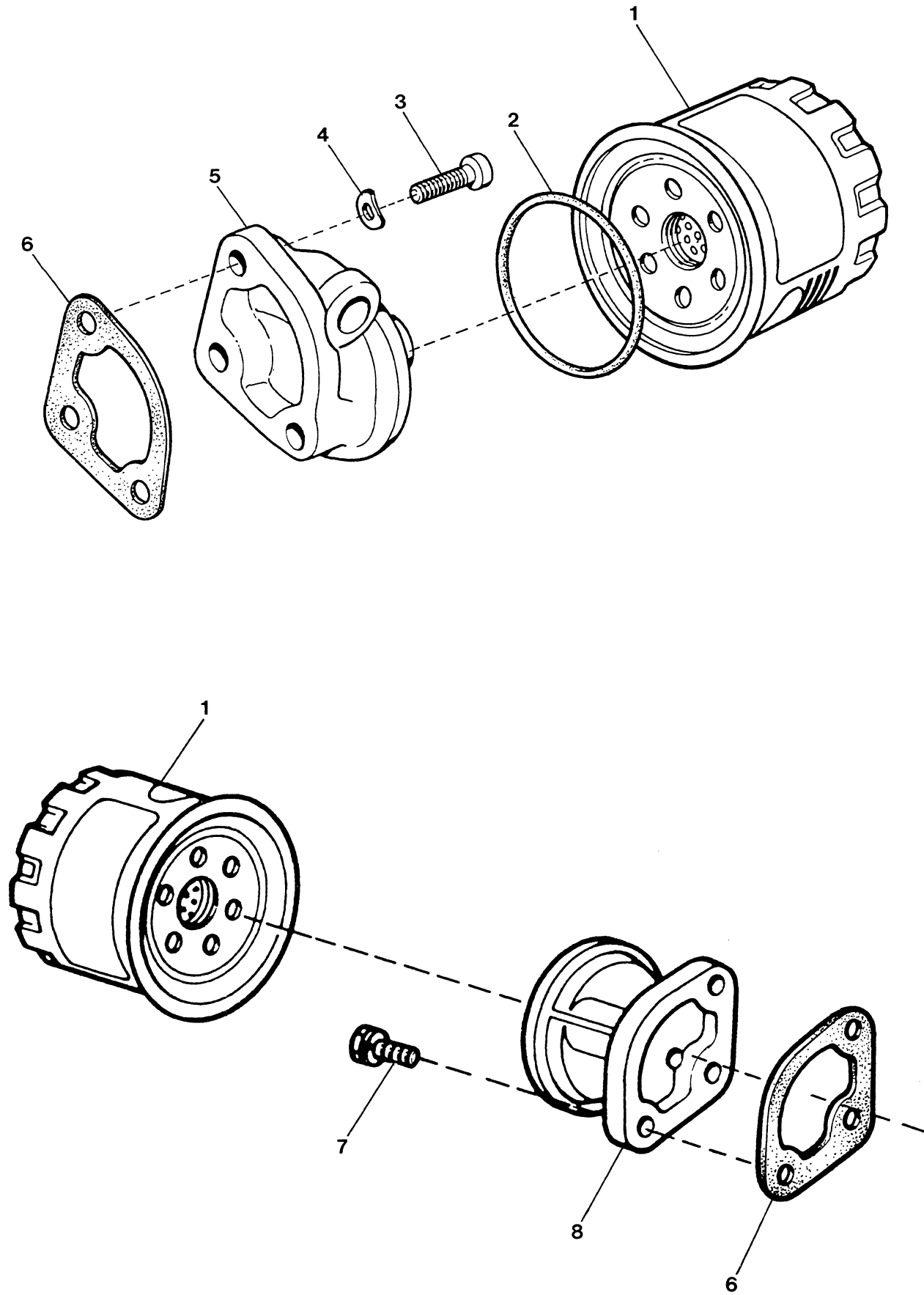
WESTERBEKE BCG-6.5KW GENERATOR - FUEL SYSTEM - COOLING (RIGHT SIDE)



WESTERBEKE BCG-6.0KW GENERATOR - FUEL SYSTEM - COOLING (RIGHT SIDE)

REF	PN	NAME	REMARKS	QUAN
37	019369	PLUG	1/8NPT BRASS	1
38	035792	CAPSCREW	M 8 X 16 JIS INCL LOCKWASHER	1
39	035337	STUD		2
40	035293	GASKET	CARBURETOR TO INTAKE MANIFOLD	1
41	018242	NUT	M 8 DIN 934	7
42	031786	LOCKWASHER	M 8 DIN 127	7
43	031787	WASHER	M 8 DIN 125	7
44	019369	PLUG	1/8NPT BRASS	1
45	035342	CARBURETOR	ASSEMBLY	1
46	035289	ARRESTOR	FLAME	1
47-1	019449	CONNECTOR	COMPRESSION INCL NUT & FERRULE	1
47-2	016676	NUT	COMPRESSION 1/4	1
47-3	011597	FERRULE	COMPRESSION 1/4	1
48	031750	NUT	1/4NC	2
49	031752	LOCKWASHER	1/4	2

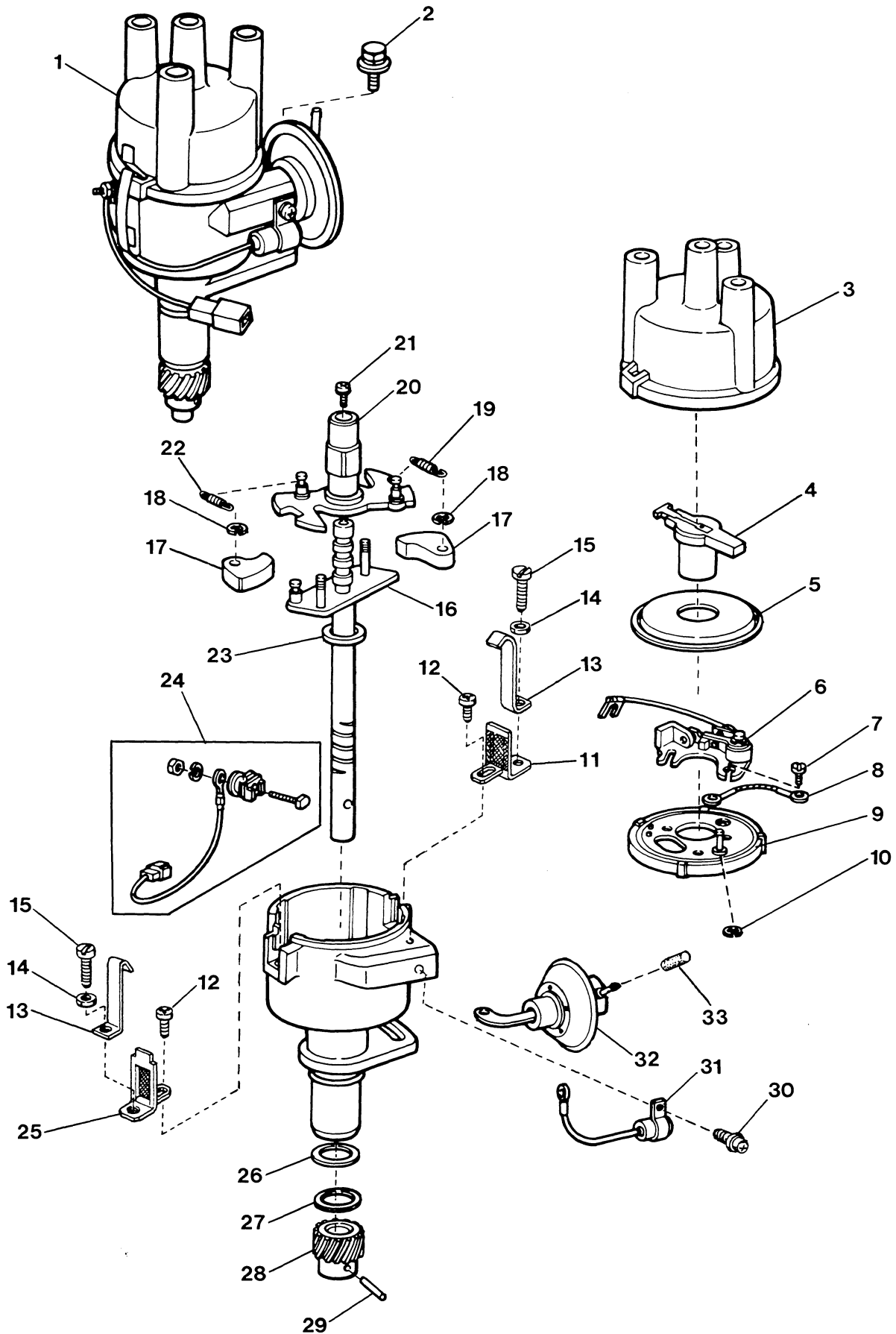
WESTERBEKE BCG-4.0-6.5KW GENERATOR - LUBE OIL FILTER



WESTERBEKE BCG-4.0-6.5KW GENERATOR - LUBE OIL FILTER

REF	PN	NAME	REMARKS	QUAN
1	035595	FILTER	LUBE OIL	1
2		O-RING	INCLUDED WITH FILTER	1
3	031925	CAPSCREW	M 8 X 35 DIN 912	2
4	031786	LOCKWASHER	M 8 DIN 127	2
5	035597	ADAPTER	FILTER TO BLOCK 2 CYLINDER	1
6	035598	GASKET	FILTER ADAPTER TO BLOCK	1
7	035793	CAPSCREW	M 8 X 25 JIS INCL LOCKWASHER	2
8	035596	ADAPTER	FILTER TO BLOCK 3 CYLINDER	1

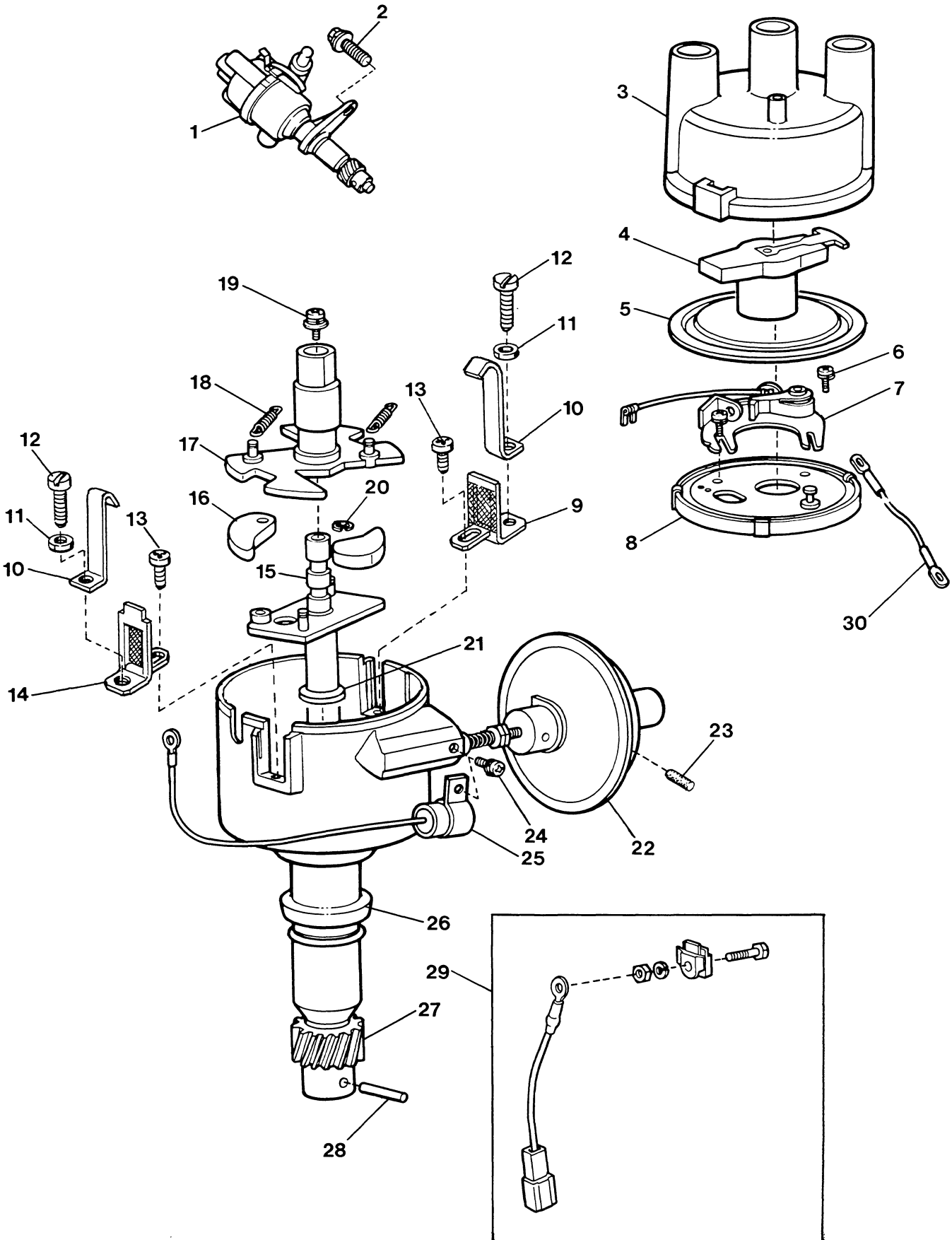
WESTERBEKE BCG-4.0KW GENERATOR - DISTRIBUTOR



WESTERBEKE BCG-4.0KW GENERATOR - DISTRIBUTOR

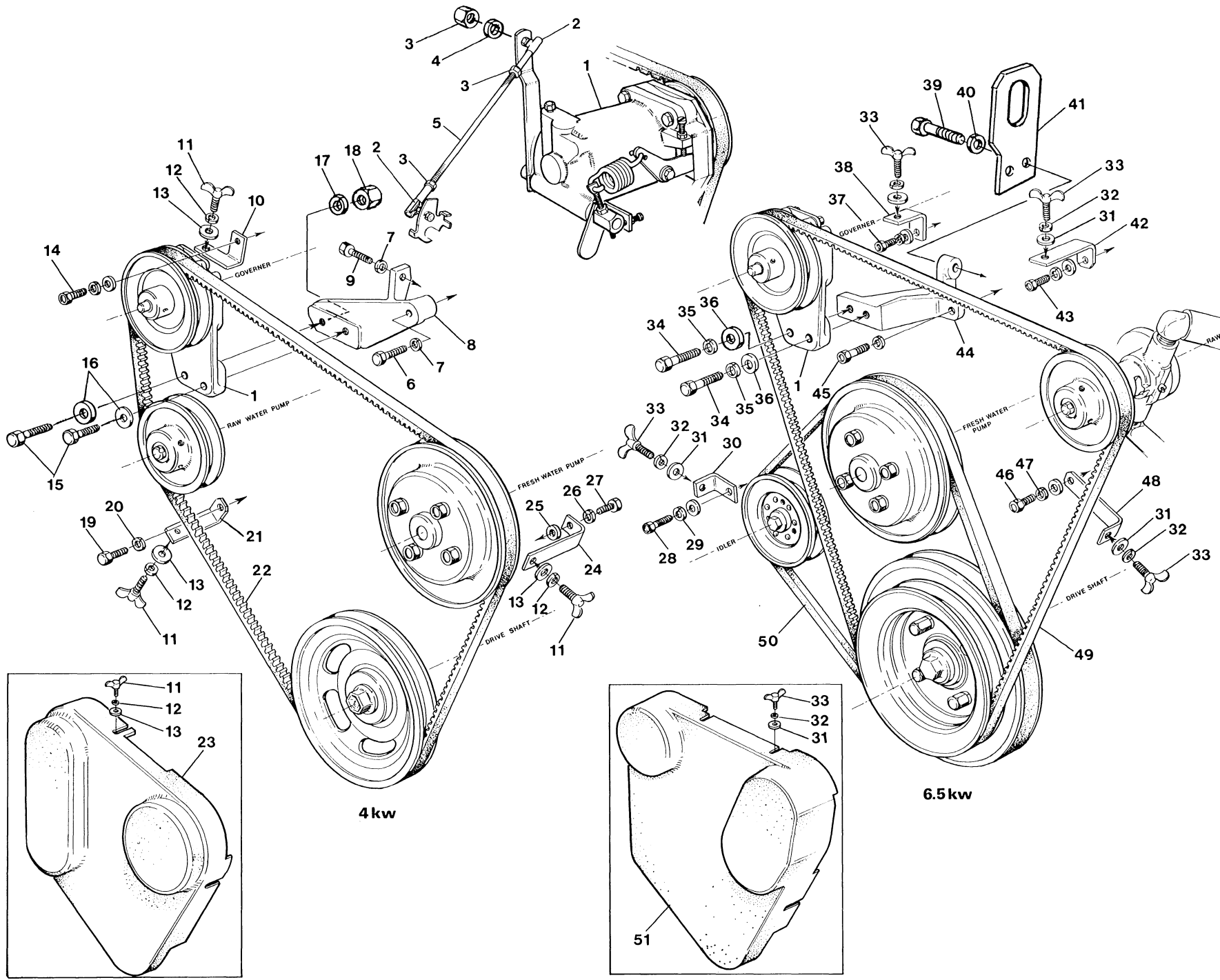
REF	PN	NAME	REMARKS	QUAN
1	035451	DISTRIBUTR	COMPLETE	1
2	035781	CAPSCREW	DISTRIBUTOR	1
3	035607	CAP	DISTRIBUTOR	1
4	035610	ROTOR		1
5	035617	COVER	DUST	1
6	035744	SCREW		2
7	035740	CONTACT	SET	1
8	035741	PLATE		1
9	035174	BRACKET		1
10	035168	CLAMP	DISTRIBUTOR CAP	2
11	031844	LOCKWASHER		2
12	031924	SCREW	M 4 X 12 DIN 84A	2
13	035672	SCREW		2
14	035175	BRACKET		1
15	035614	GOVERNOR	ASSEMBLY INCL REF 15 THRU 20	1
16		WEIGHT	GOVERNOR-SEE REF 15	2
17		CAM	ASSEMBLY-SEE REF 15	1
18		SPRING	GOVERNOR-SEE REF 15	2
19		SCREW	SEE REF 15	1
20	035745	RING	RETAINING	3
21-1	035674	WASHER	THRUST 2.5 MM	AR
21-2	035675	WASHER	THRUST 2.7 MM	AR
21-3	035676	WASHER	THRUST 2.9 MM	AR
21-4	035677	WASHER	THRUST 2.3 MM	AR
22	035620	MODULE	VACUUM ADVANCE	1
23	033885	CAP	VINYL	1
24	035673	SCREW		1
25	035681	CONDENSER		1
26	035677	O-RING		1
27	035618	GEAR	INCL PIN	1
28		PIN	SEE REF 27	1
29	035743	TERMINAL	DISTRIBUTOR	1
30	035742	WIRE	DISTRIBUTOR	1

WESTERBEKE BCG-6.5KW GENERATOR - DISTRIBUTOR



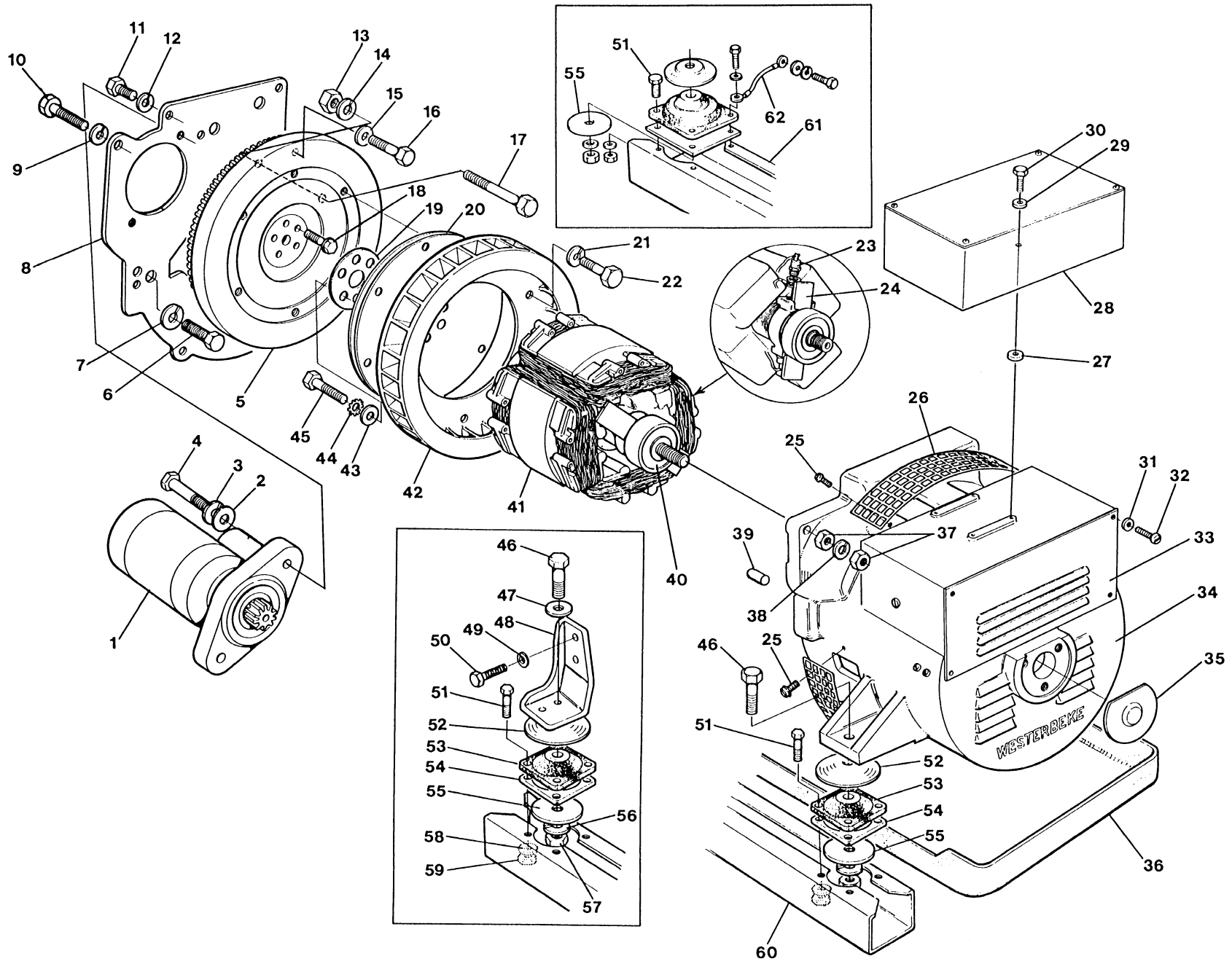
WESTERBEKE BCG-6.5KW GENERATOR - DISTRIBUTOR

REF	PN	NAME	REMARKS	QUAN
1-1	035447	DISTRIBUTR	ASSEMBLY TO S/N 1500720	1
1-2	036178	DISTRIBUTR	ASSEMBLY FROM S/N 1500721	1
2	035781	CAPSCREW	DISTRIBUTOR	1
3	035608	CAP	DISTRIBUTOR	1
4	035609	ROTOR		1
5	035617	COVER	DUST	1
6	035740	CONTACT	SET	1
7	035744	SCREW		2
8	035742	WIRE	DISTRIBUTOR	1
9	035741	PLATE		1
10	035745	WASHER		1
11	035174	BRACKET		1
12	035672	SCREW		2
13	035168	CLAMP	DISTRIBUTOR CAP	2
14	031844	LOCKWASHER		2
15	031924	SCREW	M 4 X 12 DIN 84A	2
16-1	035613	GOVERNOR	ASSEMBLY-INCL REF 16-22 DIST 35447	1
16-2	036160	GOVERNOR	ASSEMBLY-INCL REF 16-22 DIST 36178	1
17		WEIGHT	GOVERNOR-SEE REF 16	2
18		RING	RETAINING-SEE REF 16	2
19		SPRING	GOVERNOR-SEE REF 16	1
20		CAM	ASSEMBLY-SEE REF 16	1
21		SCREW	SEE REF 16	1
22		SPRING	GOVERNOR-SEE REF 16	1
23-1	035674	WASHER	THRUST 2.5 MM DISTRIBUTOR 35447	AR
23-2	035675	WASHER	THRUST 2.7 MM DISTRIBUTOR 35447	AR
23-3	035676	WASHER	THRUST 2.9 MM DISTRIBUTOR 35447	AR
23-4	035678	WASHER	THRUST 2.3 MM DISTRIBUTOR 35447	AR
23-5	036164	WASHER	THRUST DISTRIBUTOR 36178	AR
23-6	036163	WASHER	THRUST DISTRIBUTOR 36178	AR
24	035743	TERMINAL	DISTRIBUTOR	1
25	035175	BRACKET		1
26	035677	O-RING		1
27	035679	WASHER		2
28	035618	GEAR	INCL PIN	1
29		PIN	SEE REF 28	1
30	035673	SCREW		1
31	035680	CONDENSER		1
32-1	035619	MODULE	VACUUM ADVANCE-DISTRIBUTOR 35447	1
32-2	036161	MODULE	VACUUM ADVANCE-DISTRIBUTOR 36178	1
33-1	033885	CAP	VINYL-DISTRIBUTOR 35447	1
33-2	033885	CAP	VINYL-DISTRIBUTOR 36178	2



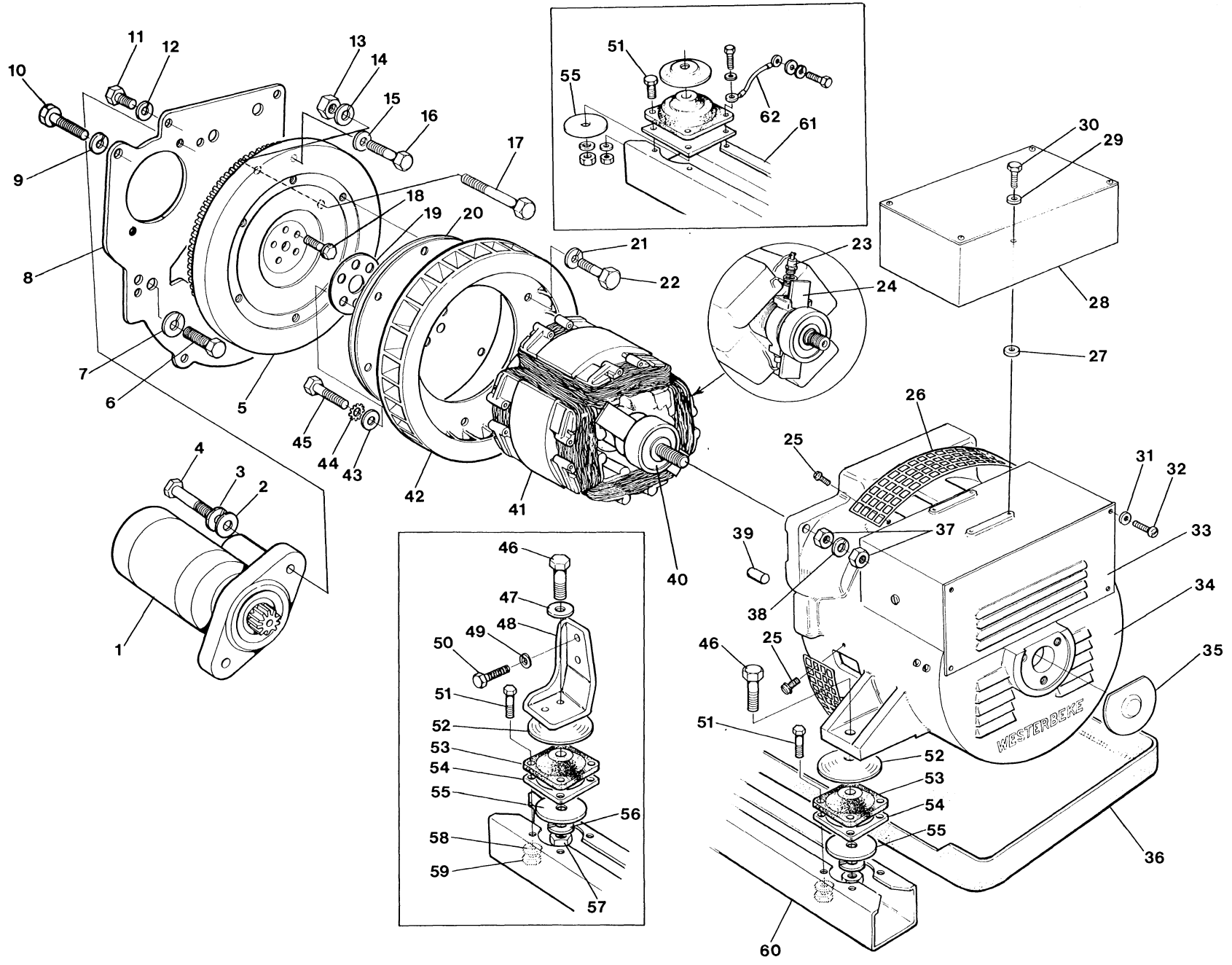
WESTERBEKE BCG-4.0-6.5KW GENERATOR - GOVERNOR - BELTS - BELT GUARD

REF	PN	NAME	REMARKS	QUAN
1	034821	GOVERNOR		1
2	019364	BALL JOINT		2
3	031847	NUT	10-32	4
4	031849	LOCKWASHER	10	2
5-1	035277	ROD	GOVERNOR TO CARBURETOR BCG-4.0KW	1
5-2	035276	ROD	GOVERNOR TO CARBURETOR BCG-6.5KW	1
6	024948	CAPSCREW	M 8 X 45 DIN 931	1
7	031786	LOCKWASHER	M 8 DIN 127	2
8	035090	BRACKET	GOVERNOR BCG-4.0KW	1
9	013619	CAPSCREW	M 8 X 30 DIN 933	1
10	035280	BRACKET	BELT GUARD	1
11	033228	SCREW	WING	3
12	031849	LOCKWASHER	10	3
13	033372	WASHER	BELT GUARD	3
14	035789	CAPSCREW	M 6 X 45 JIS INCL LOCKWASHER	1
15	031557	CAPSCREW	5/16NC X 1-1/2	2
16	031759	WASHER	FLAT 5/16	2
17	031758	LOCKWASHER	5/16	2
18	031756	NUT	5/16NC	2
19	013630	CAPSCREW	M 8 X 25 DIN 933	1
20	031786	LOCKWASHER	M 8 DIN 127	1
21	035278	BRACKET	BELT GUARD	1
22	035299	BELT		1
23	035156	GUARD	BELT BCG-4.0KW	1
24	035279	BRACKET	BELT GUARD	1
25	033381	WASHER	SPACER	1
26	031786	LOCKWASHER	M 8 DIN 127	1
27	035795	CAPSCREW	M 8 X 35 JIS	1
28	031228	CAPSCREW	M10 X 1.25 X 30 DIN 961	1
29	019262	LOCKWASHER	M10 DIN 127	1
30	035328	BRACKET	BELT GUARD	1
31	033372	WASHER	BELT GUARD	4
32	031849	LOCKWASHER	10	4
33	033228	SCREW	WING	4
34	031556	CAPSCREW	5/16NC X 1-1/4	2
35	031758	LOCKWASHER	5/16	2
36	031759	WASHER	FLAT 5/16	2
37	035782	BOLT	TIMING COVER	1
38	033240	BRACKET	BELT GUARD	1
39	024960	CAPSCREW	M12 X 1.25 X 35 DIN 961	1
40	031792	LOCKWASHER	M12 DIN 127	1
41	035267	EYE	LIFTING	1
42	033380	BRACKET	BELT GUARD	1
43	035810	CAPSCREW	M 6 X 25 JIS INCL WASHER & LOCKWASHER	1
44	035042	BRACKET	GOVERNOR BCG-6.5KW	1
45	035793	CAPSCREW	M 8 X 25 JIS INCL LOCKWASHER	1
46	013590	CAPSCREW	M 6 X 30 DIN 933	1
47	031783	LOCKWASHER	M 6 DIN 127	1
48	035327	BRACKET	BELT GUARD	1
49	032977	BELT	GOVERNOR & SEA WATER PUMP	1
50	035440	BELT	FRESH WATER PUMP	1
51	035157	GUARD	BELT BCG-6.5KW	1



WESTERBEKE BCG-4.0-6.5KW GENERATOR - BACK END - GENERATOR

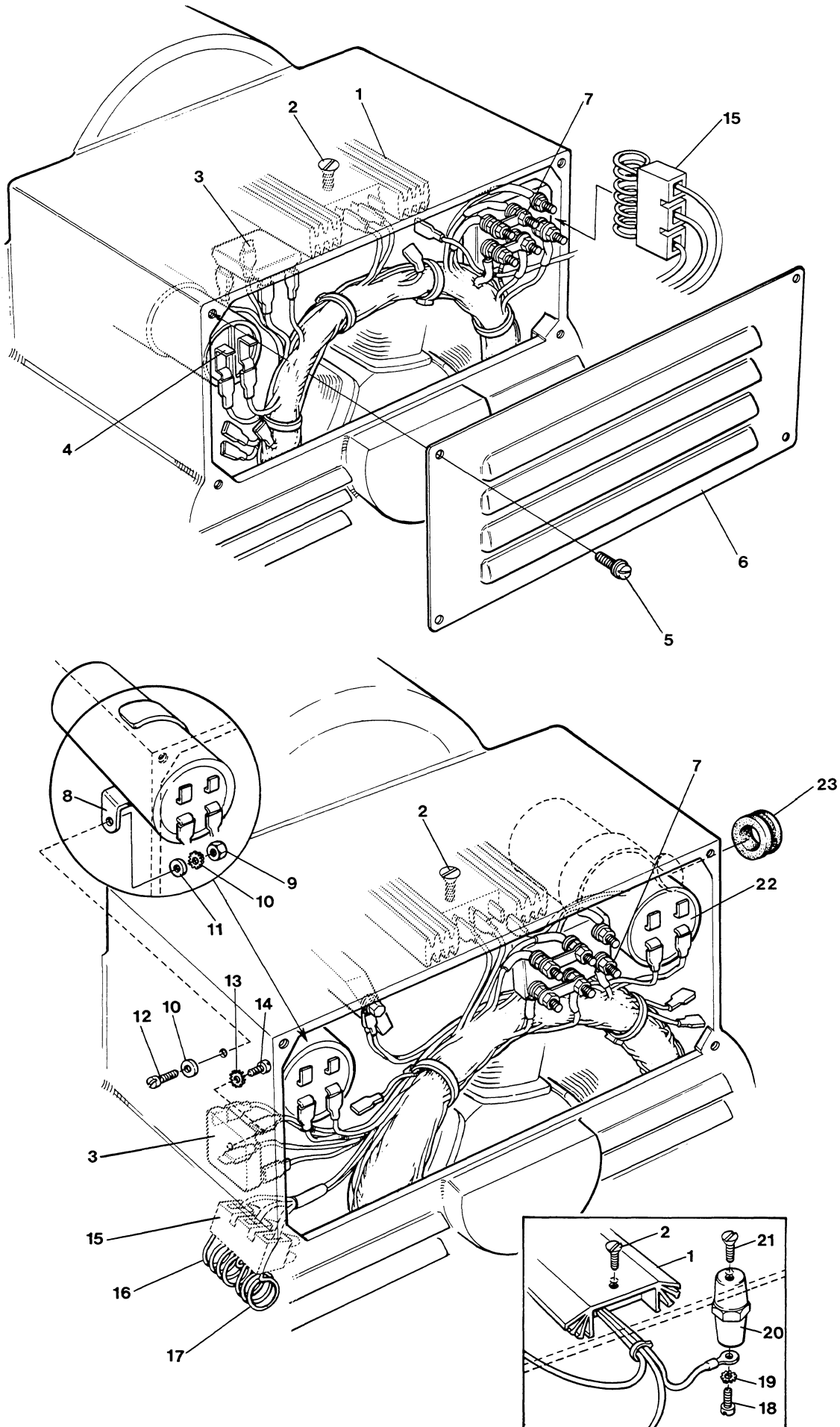
REF	PN	NAME	REMARKS	QUAN
1	034552	MOTOR	STARTER 12VDC	1
2	031789	WASHER	M10 DIN 125	2
3	019262	LOCKWASHER	M10 DIN 127	2
4	024589	CAPSCREW	M10 X 30 DIN 933	2
5-1	034950	FLYWHEEL	BALANCED WITH RING GEAR BCG-4.0KW	1
5-2	035105	GEAR	RING BCG-4.0KW	1
5-3	034760	FLYWHEEL	BALANCED WITH RING GEAR BCG-6.5KW	1
5-4	032996	GEAR	RING BCG-6.5KW	1
6-1	031819	CAPSCREW	M10 X 1.25 X 60 DIN 961 BCG-4.0KW	4
6-2	024959	CAPSCREW	M12 X 1.25 X 25 DIN 961 BCG-6.5KW	3
7-1	019262	LOCKWASHER	M10 DIN 127 BCG-4.0KW	4
7-2	031792	LOCKWASHER	M12 DIN 127 BCG-6.5KW	3
8-1	034956	PLATE	BACK BCG-4.0KW	1
8-2	034764	PLATE	BACK BCG-6.5KW	1
9	019262	LOCKWASHER	M10 DIN 127	1
10	013631	CAPSCREW	M10 X 55 DIN 933	1
11-1	013629	CAPSCREW	M10 X 25 DIN 933 BCG-4.0KW	4
11-2	034589	CAPSCREW	M10 X 30 DIN 933 BCG-4.0KW	2
11-3	013629	CAPSCREW	M10 X 25 DIN 933 BCG-6.5KW	6
12	019262	LOCKWASHER	M10 DIN 127	6
13	024957	NUT	M12 X 1.25 DIN 934 BCG-6.5KW	1
14	031792	LOCKWASHER	M12 DIN 127 BCG-6.5KW	1
15-1	031786	LOCKWASHER	M 8 DIN 127 BCG-4.0KW	2
15-2	019262	LOCKWASHER	M10 DIN 127 BCG-6.5KW	1
16-1	024949	CAPSCREW	M 8 X 50 DIN 931 BCG-4.0KW	2
16-2	024952	CAPSCREW	M10 X 1.25 X 25 DIN 961 BCG-6.5KW	1
17	024963	CAPSCREW	M12 X 1.25 X 50 DIN 960 BCG-6.5KW	1
18-1	024954	CAPSCREW	M10 X 1.25 X 40 DIN 961 BCG-4.0KW	6
18-2	024952	CAPSCREW	M10 X 1.25 X 25 DIN 961 BCG-6.5KW	6
19	035928	PLATE	DRIVE DISC TO ARMATURE	1
20	035927	DISC	DRIVE	2
21	031786	LOCKWASHER	M 8 DIN 127	8
22	017196	CAPSCREW	M 8 X 20 DIN 933	8
23		DIODE		2
24	035971	BRIDGE	DIODE ASSEMBLY	1
25	031933	SCREW	M 5 X 10 DIN 85A	2
26	035974	GUARD	AIR	1
27	031753	WASHER	FLAT 1/4	2
28	035201	PANEL	CONTROL-REFER TO CONTROL PANEL PAGE	1
29	031783	LOCKWASHER	M 6 DIN 127	2
30	031825	CAPSCREW	M 6 X 12 DIN 933	2
31	031914	LOCKWASHER	M 5 DIN 6797A	4
32	031918	SCREW	M 5 X 10 DIN 84A	4
33-1	035984	COVER	BCG-4.0KW	1
33-2	035975	COVER	BCG-6.5KW	1



WESTERBEKE BCG-4.0-6.5KW GENERATOR - BACK END - GENERATOR

REF	PN	NAME	REMARKS	QUAN
34-1	034414	GENERATOR	ASSEMBLY BCG-4.0KW	1
34-2	034408	GENERATOR	ASSEMBLY BCG-6.5KW	1
34-3	035983	HOUSING	INCL STATOR BCG-4.0KW	1
34-4	035973	HOUSING	INCL STATOR BCG-6.5KW	1
35	034182	COVER	PTO	1
36	033964	DRIPTRAY		1
37	015887	NUT	M10 DIN 934	2
38	019262	LOCKWASHER	M10 DIN 127	1
39	019039	DOWEL	HOUSING TO BACKPLATE	2
40	035972	BEARING	BALL	1
41-1	035982	ARMATURE	ASSEMBLY BCG-4.0KW	1
41-2	035970	ARMATURE	ASSEMBLY BCG-6.5KW	1
42	035969	FAN		1
43	031789	WASHER	M10 DIN 125	6
44	031915	LOCKWASHER	M10 DIN 6797A	6
45	018813	CAPSCREW	M10 X 20 DIN 933	6
46	031711	CAPSCREW	1/2NC X 2-1.2	4
47	031777	WASHER	FLAT 1/2	4
48-1	034942	MOUNT	FRONT LEFT BCG-4.0KW	1
48-2	034940	MOUNT	FRONT RIGHT BCG-4.0KW	1
48-3	034878	MOUNT	FRONT LEFT BCG-6.5KW	1
48-4	034880	MOUNT	FRONT RIGHT BCG-6.5KW	1
49	019262	LOCKWASHER	M10 DIN 127	4
50	031228	CAPSCREW	M10 X 1.25 X 30 DIN 961	4
51-1	031555	CAPSCREW	5/16NC X 1 BCG-4.0KW	16
51-2	031557	CAPSCREW	5/16NC X 1-1/2 BCG-6.5KW	16
52	033530	SHIELD	ISOLATOR	4
53	024776	ISOLATOR		4
54-1	035273	SPACER	ISOLATOR TO RAIL BCG-4.0KW	4
54-2	035271	SPACER	ISOLATOR TO RAIL BCG-6.5KW	4
55	024674	WASHER	ISOLATOR SNUBBING	4
56	031776	LOCKWASHER	1/2	4
57	031774	NUT	1/2NC	4
58	031758	LOCKWASHER	5/16	16
59	031756	NUT	5/16NC	16
60-1	035453	RAIL	LEFT-ASSEMBLY BCG-4.0KW	1
60-2	035444	RAIL	LEFT-ASSEMBLY BCG-6.5KW	1
61-1	035454	RAIL	RIGHT-ASSEMBLY INCL GND STRAP BCG-4.0KW	1
61-2	035445	RAIL	RIGHT-ASSEMBLY INCL GND STRAP BCG-6.5KW	1
62	034593	STRAP	GROUND	1

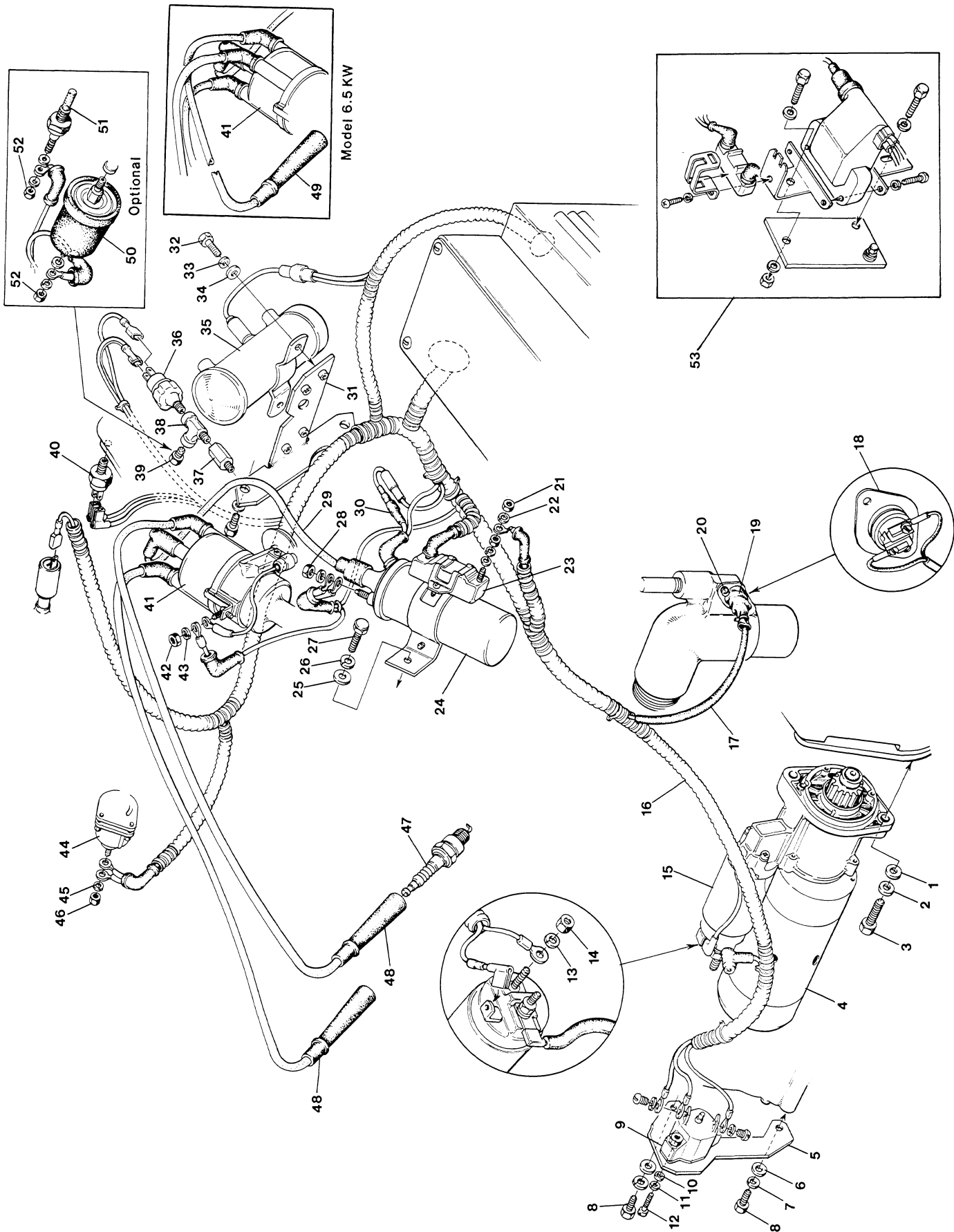
WESTERBEKE BCG-4.0-6.5KW GENERATOR - AC OUTPUT



WESTERBEKE BCG-4.0-6.5KW GENERATOR - AC OUTPUT

REF	PN	NAME	REMARKS	QUAN
1	035981	CHARGER	BATTERY	1
2	031930	SCREW	M 5 X 10 DIN 963A	2
3	030809	RECTIFIER	BRIDGE	1
4	035985	CAPACITOR	BCG-4.0KW	1
5	031918	SCREW	M 5 X 10 DIN 84A	4
6-1	035984	COVER	BCG-4.0KW	1
6-2	035975	COVER	BCG-6.5KW	1
7	035940	BLOCK	TERMINAL-AC OUTPUT M 5 STUDS	1
8-1	035979	CLAMP	CAPACITOR BCG-4.0KW	1
8-2	035979	CLAMP	CAPACITOR BCG-6.5KW	2
9-1	018241	NUT	M 5 DIN 934 BCG-4.0KW	1
9-2	018241	NUT	M 5 DIN 934 BCG-6.5KW	2
10-1	031914	LOCKWASHER	M 5 DIN 6797A BCG-4.0KW	2
10-2	031914	LOCKWASHER	M 5 DIN 6797A BCG-6.5KW	4
11-1	031781	WASHER	M 5 DIN 125 BCG-4.0KW	1
11-2	031781	WASHER	M 5 DIN 125 BCG-6.5KW	2
12-1	031920	SCREW	M 5 X 20 DIN 84A BCG-4.0KW	1
12-2	031920	SCREW	M 5 X 20 DIN 84A BCG-6.5KW	2
13	031914	LOCKWASHER	M 5 DIN 6797A	1
14	031931	SCREW	M 5 X 15 DIN 84A	1
15	035942	BLOCK	TERMINAL 3 POLE	1
16	035977	RESISTOR	BALLAST 4 COIL	1
17	035976	RESISTOR	BALLAST 3 COIL	1
18	031932	CAPSCREW	M 5 X 10 DIN 933 BRASS	1
19	031914	LOCKWASHER	M 5 DIN 6797A	1
20	035980	TERMINAL	CHARGER OUTPUT-ISOLATED	1
21	031930	SCREW	M 5 X 10 DIN 963A	1
22	035978	CAPACITOR	BCG-6.5KW	2
23	035944	GROMMET	AC WIRES	1
24	035455	LABEL	AC OUTPUT CONNECTIONS	1

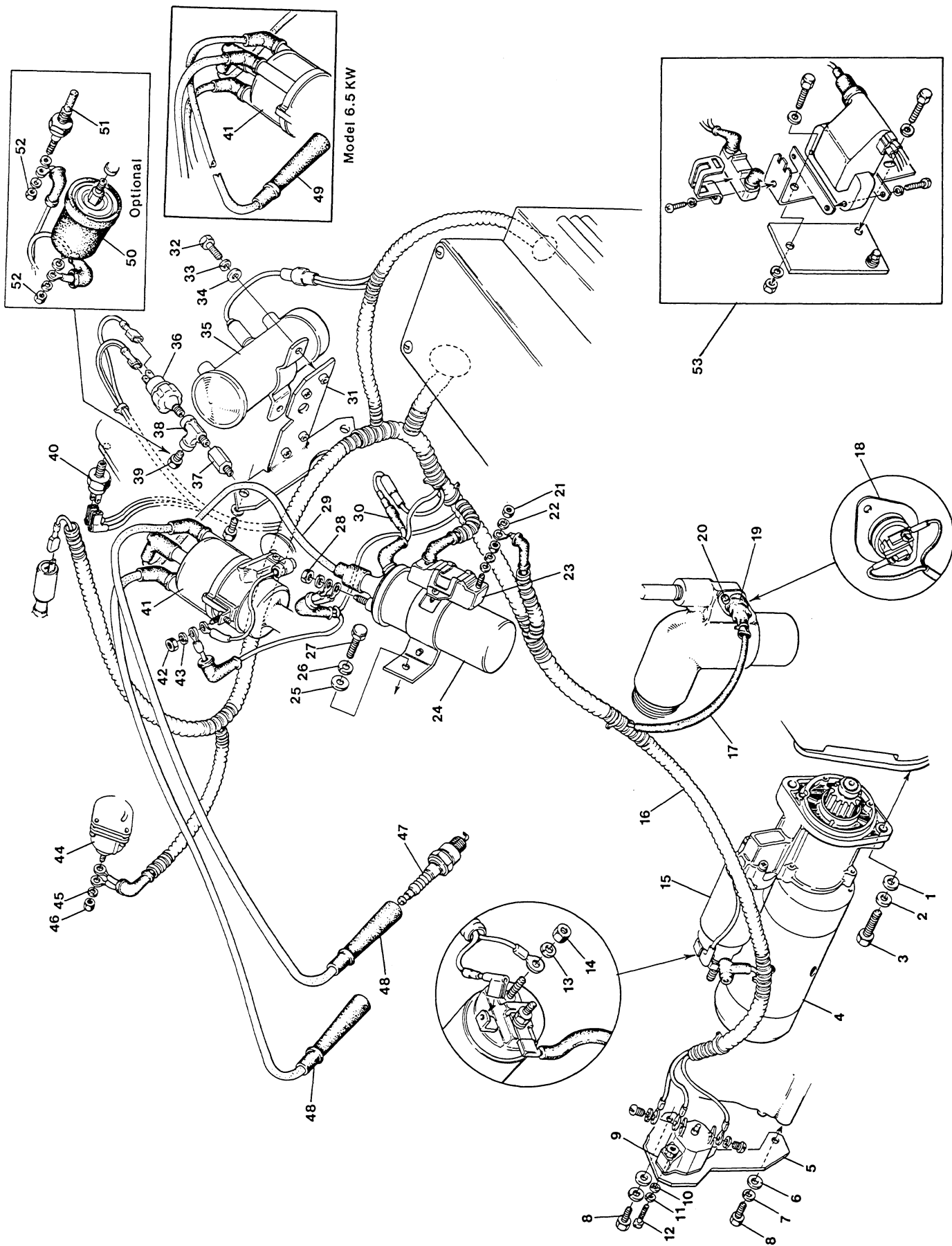
WESTERBEKE BCG-4.0-6.5KW GENERATOR - ELECTRICAL WIRING HARNESS



WESTERBEKE BCG-4.0-6.5KW GENERATOR - ELECTRICAL WIRING HARNESS

REF	PN	NAME	REMARKS	QUAN
1	031789	WASHER	M10 DIN 125	2
2	019262	LOCKWASHER	M10 DIN 127	2
3	034589	CAPSCREW	M10 X 30 DIN 933	2
4	034552	MOTOR	STARTER 12VDC	1
5-1	035185	BRACKET	CIRCUIT BREAKER BCG-4.0KW	1
5-2	035095	BRACKET	CIRCUIT BREAKER BCG-6.5KW	1
6	031789	WASHER	M10 DIN 125 BCG-6.5KW	2
7	019262	LOCKWASHER	M10 DIN 127 BCG-6.5KW	2
8-1	035805	CAPSCREW	M8 X 55 JIS INCL WASHER & LOCKWASHER 4KW	2
8-2	024951	CAPSCREW	M10 X 1.25 X 20 DIN 961 BCG-6.5KW	2
9	024683	BREAKER	CIRCUIT 20 AMP	1
10	031843	WASHER	FLAT 8	2
11	031844	LOCKWASHER	8	2
12	031866	SCREW	8-32 X 7/8	2
13	031786	LOCKWASHER	M 8 DIN 127	1
14	018242	NUT	M 8 DIN 934	1
15	036218	SOLENOID	STARTER MOTOR	1
16	035696	HARNESS		1
17	033213	TUBING	TEFLON-INCHES REQUIRED	18
18	032923	SWITCH	EXHAUST TEMPERATURE	1
19	035754	BOOT		1
20	035711	SCREW	6-20 X 1/4 TAPPING-45 DEGREE ELBOW	2
21	018241	NUT	M 5 DIN 934	2
22	031780	LOCKWASHER	M 5 DIN 127	2
23-1	035665	RESISTOR	BCG-4.0KW	1
23-2	035665	RESISTOR	COIL 35667 TO S/N 1500720 BCG-6.5KW	1
24-1	035667	COIL	BCG-4.0KW	1
24-2	035667	COIL	DISTRIBUTOR 35447 TO S/N 1500720 BCG-6.5	1
25-1	031759	WASHER	FLAT 5/16-TOP	1
25-2	031753	WASHER	FLAT 1/4-BOTTOM BCG-4.0KW	1
25-3	031787	WASHER	M 8 DIN 125-BOTTOM BCG-6.5KW	1
26-1	031758	LOCKWASHER	5/16-TOP	1
26-2	031783	LOCKWASHER	M 6 DIN 127-BOTTOM BCG-4.0KW	1
26-3	031786	LOCKWASHER	M 8 DIN 127-BOTTOM BCG-6.5KW	1
27-1	031551	CAPSCREW	5/16NC X 1/2-TOP BCG-4.0KW	1
27-2	033351	CAPSCREW	M 6 X 60 DIN 931-BOTTOM BCG-4.0KW	1
27-3	031553	CAPSCREW	5/16NC X 3/4-TOP BCG-6.5KW	1
27-4	031756	NUT	5/16NC-TOP BCG-6.5KW	1
27-5	017196	CAPSCREW	M 8 X 20 DIN 933-BOTTOM BCG-6.5KW	1
28	018241	NUT	M 5 DIN 934	2
29-1	035832	WIRE	COIL TO DISTRIBUTOR BCG-4.0KW	1
29-2	035831	WIRE	COIL TO DISTRIBUTOR BCG-6.5KW	1
30	035671	DIODE	ASSEMBLY	1

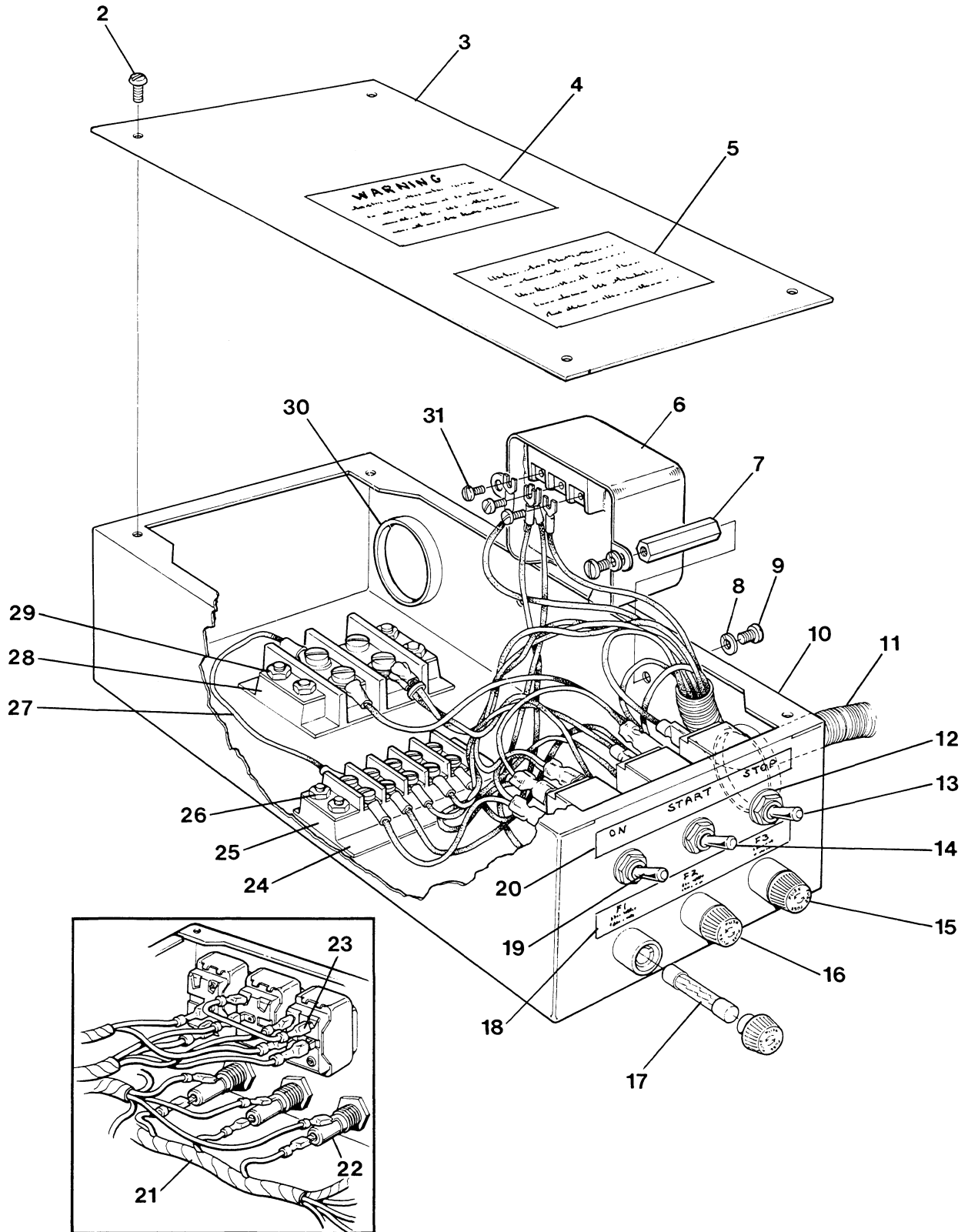
WESTERBEKE BCG-4.0-6.5KW GENERATOR - ELECTRICAL WIRING HARNESS



WESTERBEKE BCG-4.0-6.5KW GENERATOR - ELECTRICAL WIRING HARNESS

REF	PN	NAME	REMARKS	QUAN
31	035288	BRACKET	LIFT PUMP	1
32	031503	CAPSCREW	1/4NC X 3/4	2
33	031752	LOCKWASHER	1/4	2
34	031753	WASHER	FLAT 1/4	2
35	033630	PUMP	FUEL LIFT 12VDC	1
36	033935	SWITCH	OIL PRESSURE	1
37	024844	ADAPTER		1
38	035145	TEE	1/8NPT STREET STEEL	1
39	019369	PLUG	1/8NPT BRASS	1
40	030096	SWITCH	WATER TEMPERATURE	1
41-1	035451	DISTRIBUTR	BCG-4.0KW	1
41-2	035447	DISTRIBUTR	BCG-6.5KW TO S/N 1500720	1
41-3	036178	DISTRIBUTR	BCG-6.5KW FROM S/N 1500721	1
42	031929	NUT	M 4 DIN 934	1
43	031917	LOCKWASHER	M 4 DIN 6797A	1
44		CHOKE	INCL WITH CARBURETOR ASSEMBLY	1
45	031780	LOCKWASHER	M 5 DIN 127	1
46	018241	NUT	M 5 DIN 934	1
47-1	035666	SPARKPLUG	BCG-4.0KW	2
47-2	033805	SPARKPLUG	BCG-6.5KW	3
48-1	035668	WIRE	PLUG 1 & 2 BCG-4.0KW	2
48-2	035669	WIRE	PLUG 1 & 2 BCG-6.5KW	2
49	035670	WIRE	PLUG 3 BCG-6.5KW	1
50	024132	SENDER	OIL PRESSURE 0-100PSI-OPTIONAL	1
51	035109	SENDER	WATER TEMPERATURE-OPTIONAL	1
52	031847	NUT	10-32	2
53	036162	COIL	DISTRIBUTOR 36178	1
54	035439	DIAGRAM	GENERATOR DC CONTROL WIRING	1

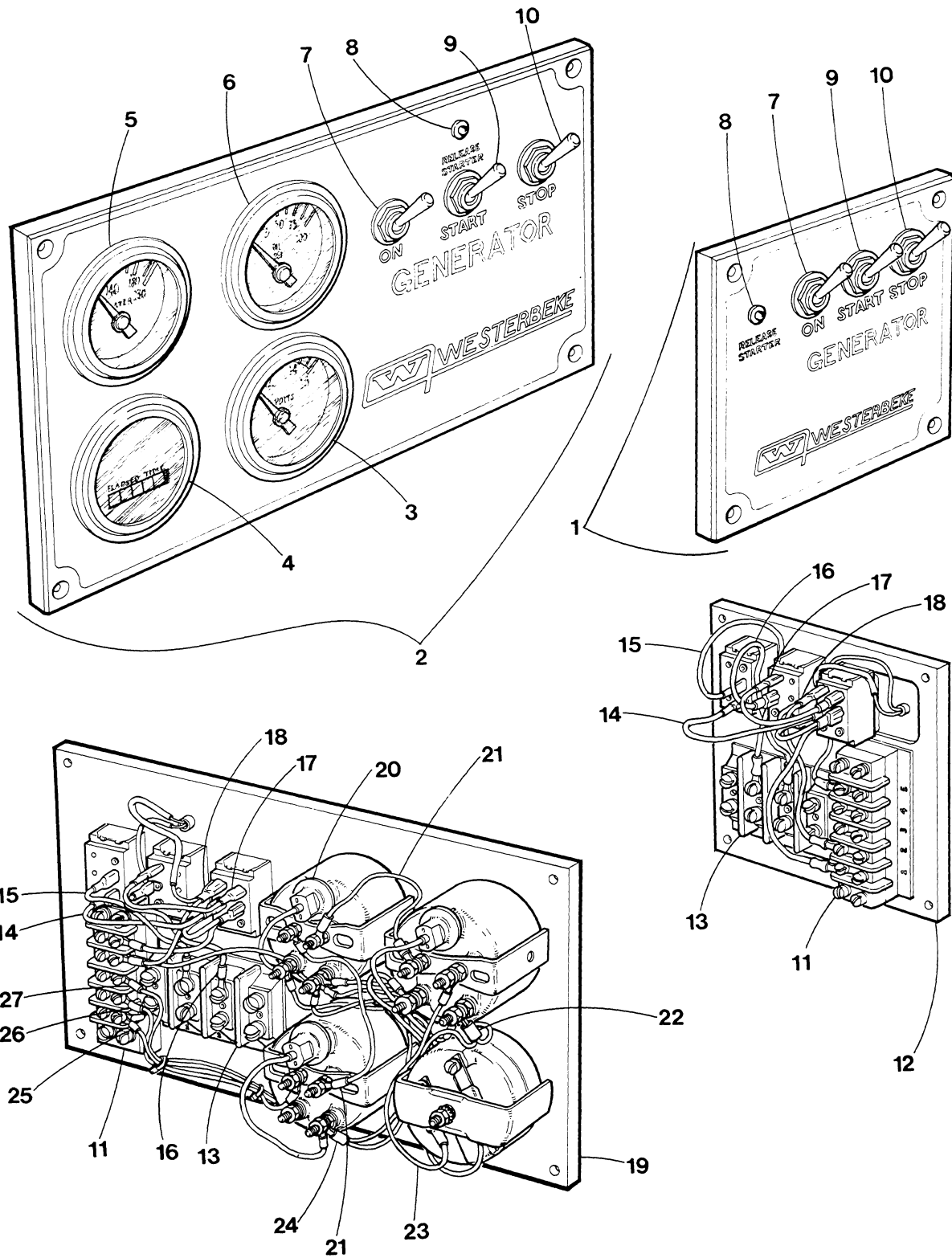
WESTERBEKE BCG-4.0-6.5KW GENERATOR - CONTROL PANEL



WESTERBEKE BCG-4.0-6.5KW GENERATOR - CONTROL PANEL

REF	PN	NAME	REMARKS	QUAN
1	035201	PANEL	COMPLETE EXCLUDING REF 4 THRU 9	1
2	031891	SCREW	8-32 X 3/8 SS TRUSS HEAD	4
3	035183	COVER	PANEL BOX	1
4	033748	DECAL	GAS VAPOR WARNING	1
5	033514	DECAL	OPERATING INSTRUCTIONS	1
6-1	035420	SHUTDOWN	OVERSPEED 60HZ 2 CYLINDER	1
6-2	035421	SHUTDOWN	OVERSPEED 60HZ 3 CYLINDER	1
6-3	035423	SHUTDOWN	OVERSPEED 50HZ 2 CYLINDER	1
6-4	035424	SHUTDOWN	OVERSPEED 50HZ 3 CYLINDER	1
7	035429	STANDOFF		2
8	031845	LOCKWASHER	8 INTERNAL TOOTH	4
9	031862	SCREW	8-32 X 3/8	4
10	035182	BOX	PANEL	1
11	035696	HARNESS	ENGINE	1
12	031999	RING	SWITCH POSITIONING	3
13	033631	SWITCH	STOP	1
14	033632	SWITCH	START	1
15-1	033768	FUSE	4 AMP TO AUGUST 1986	1
15-2	033769	FUSE	8 AMP FROM AUGUST 1986	1
16	011468	FUSE	15 AMP SLOW BLOW	1
17	033769	FUSE	8 AMP	1
18	033696	LABEL	FUSE IDENTIFICATION	1
19	033633	SWITCH	ON	1
20	033695	LABEL	SWITCH IDENTIFICATION	1
21	035697	HARNESS	PANEL	1
22	033767	HOLDER	FUSE	3
23	033912	WIRE	PANEL	1
24	019122	MARKER	TERMINAL BLOCK	1
25-1	019121	BLOCK	TERMINAL	1
25-2	015223	JUMPER		1
26-1	015222	PLATE	SCREW	2
26-2	031855	SCREW	6-32 X 5/8	4
26-3	031839	LOCKWASHER		4
26-4	031837	NUT	6-32	4
27	033913	WIRE	PANEL	1
28-1	013364	BLOCK	TERMINAL	1
28-2	012975	MARKER	TERMINAL BLOCK	1
29-1	013856	PLATE	SCREW	2
29-2	031865	SCREW	8-32 X 3/4	4
29-3	031844	LOCKWASHER		4
29-4	031842	NUT	8-32	4
30	023939	BUSHING	SNAP	2
31	031853	SCREW	6-32 X 3/8	3

WESTERBEKE BCG-4.0-6.5KW GENERATOR - REMOTE CONTROL PANELS



WESTERBEKE BCG-4.0-6.5KW GENERATOR - REMOTE CONTROL PANELS

REF	PN	NAME	REMARKS	QUAN
1	033703	PANEL	REMOTE START-STOP	1
2	036055	PANEL	REMOTE INSTRUMENT INCL SENDERS	1
3	035111	VOLTMETER	12VDC	1
4	012892	METER	HOUR	1
5	035108	METER	WATER TEMPERATURE	1
6	035110	METER	OIL PRESSURE 0-100PSI	1
7	033633	SWITCH	ON - BLACK HANDLE	1
8-1	032975	LED		1
8-2	013723	RESISTOR		1
8-3	013724	DIODE		1
9	033632	SWITCH	START - WHITE HANDLE	1
10	033631	SWITCH	STOP - RED HANDLE	1
11-1	019121	BLOCK	TERMINAL	1
11-2	019122	MARKER	TERMINAL BLOCK	1
11-3	033868	SPACER		1
11-4	031867	SCREW	8-32 X 1	4
11-5	031844	LOCKWASHER	8	4
11-6	031843	WASHER	FLAT 8	4
12	033917	PLATE	REMOTE PANEL 33703	1
13-1	012975	BLOCK	TERMINAL	1
13-2	013364	MARKER	TERMINAL BLOCK	1
13-3	013856	PLATE	SCREW	2
13-4	031866	SCREW	8-32 X 7/8	4
13-5	031844	LOCKWASHER	8	4
14	034215	WIRE	RED-PURPLE	1
15	034214	WIRE	RED-PURPLE	1
16	034216	WIRE	YELLOW-RED	1
17	033912	WIRE	YELLOW-RED	1
18	034217	WIRE	PURPLE	1
19	033916	PLATE	REMOTE INSTRUMENT PANEL 36055	1
20-1	024947	LAMP	INSTRUMENT-BAYONET BASE	3
20-2	024946	HOLDER	LAMP-BAYONET BASE	3
20-3	035114	LAMP	INSTRUMENT-WEDGE BASE	3
20-4	035118	HOLDER	LAMP-WEDGE BASE	3
20-5	035825	WIRE	LAMP POWER CONNECTION	3
21	034233	WIRE	BLACK	2
22	034221	WIRE	PURPLE	1
23	034222	WIRE	BLACK	1
24	034220	WIRE	PURPLE	1
25	034224	WIRE	BLACK	1
26	034219	WIRE	TAN	1
27	034218	WIRE	BLUE	1

WESTERBEKE BCG-4.0-6.5KW GENERATOR - MISCELLANEOUS

REF	PN	NAME	REMARKS	QUAN
1-1	035690	KIT A	SPARE PARTS BCG-4.0KW	1
1-2	035694	KIT A	SPARE PARTS BCG-6.5KW	1
2-1	035691	KIT B	SPARE PARTS-EXTENDED CRUISING BCG-4.0KW	1
2-2	035695	KIT B	SPARE PARTS-EXTENDED CRUISING BCG-6.5KW	1
3-1	035688	GASKET SET	UPPER BCG-4.0KW	1
3-2	035692	GASKET SET	UPPER BCG-6.5KW	1
4-1	035689	GASKET SET	COMPLETE-BCG-4.0KW	1
4-2	035693	GASKET SET	COMPLETE BCG-6.5KW	1
5	024177	KIT	REMOTE FRESH WATER SURGE TANK	1
6	013758	PAINT	RED-AEROSOL SPRAY CAN	1
7	035455	LABEL	AC OUTPUT CONNECTIONS	1
8	036194	PARTSLIST		1
9	035729	MANUAL	OPERATOR	1
10	036209	MANUAL	TECHNICAL	1
11	032008	SWITCH	SHIP-SHORE	1
12	036055	PANEL	REMOTE INSTRUMENT INCL SENDERS	1
13	033702	PANEL	REMOTE START-STOP	1
14-1	033772	MUFFLER	HYDRE-HUSH B	1
14-2	034936	MUFFLER	HYDRO-HUSH C (BOTTOM MOUNT)	1
14-3	035002	MUFFLER	HYDRO HUSH C (SIDE MOUNT)	1
14-4	033340	CONNECTOR	HOSE-STRAIGHT	1
14-5	033341	CONNECTOR	HOSE 45 DEGREE	1
14-6	033342	CONNECTOR	HOSE 90 DEGREE	1
14-7	033943	KIT	HOSE COUPLING & CLAMPS	1
15	015010	STRAINER	SEA WATER	1
16	033327	VALVE	ANTI-SIPHON	1
17-1	036025	KIT	EXTENDS DIPSTICK TO OPP SIDE BCG-4.0KW	1
17-2	036031	KIT	EXTENDS DIPSTICK TO OPP SIDE BCG-6.5KW	1

